

8 7 6 5 4 3 2 1

F F

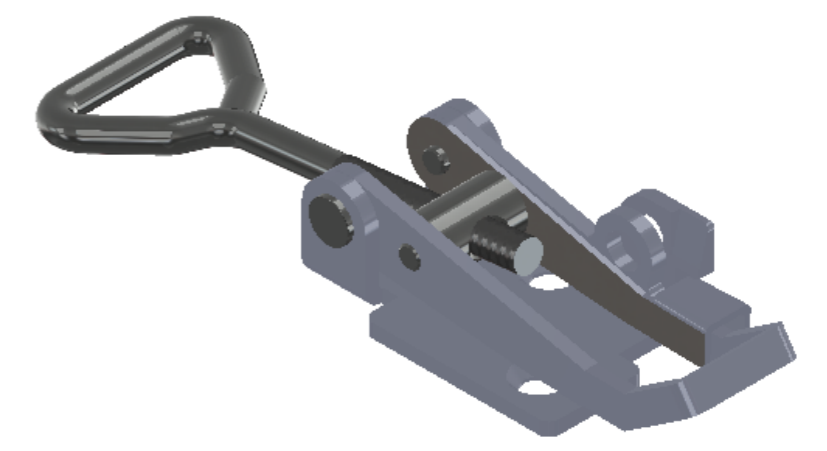
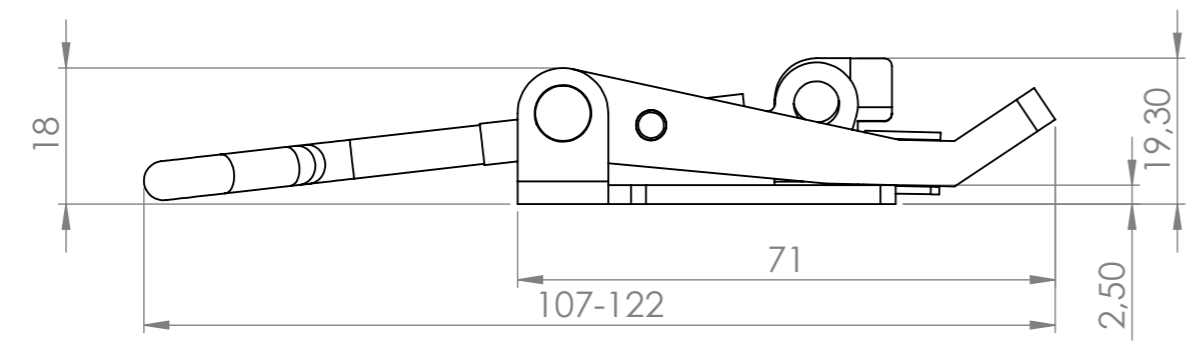
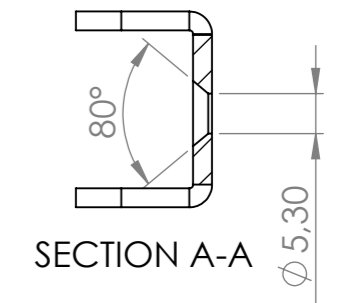
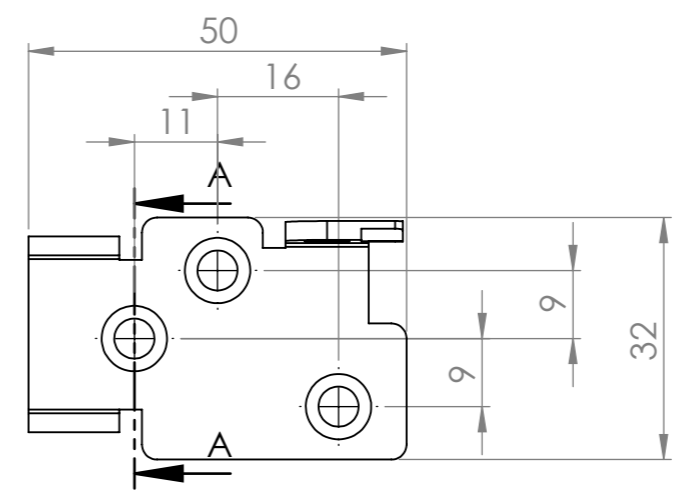
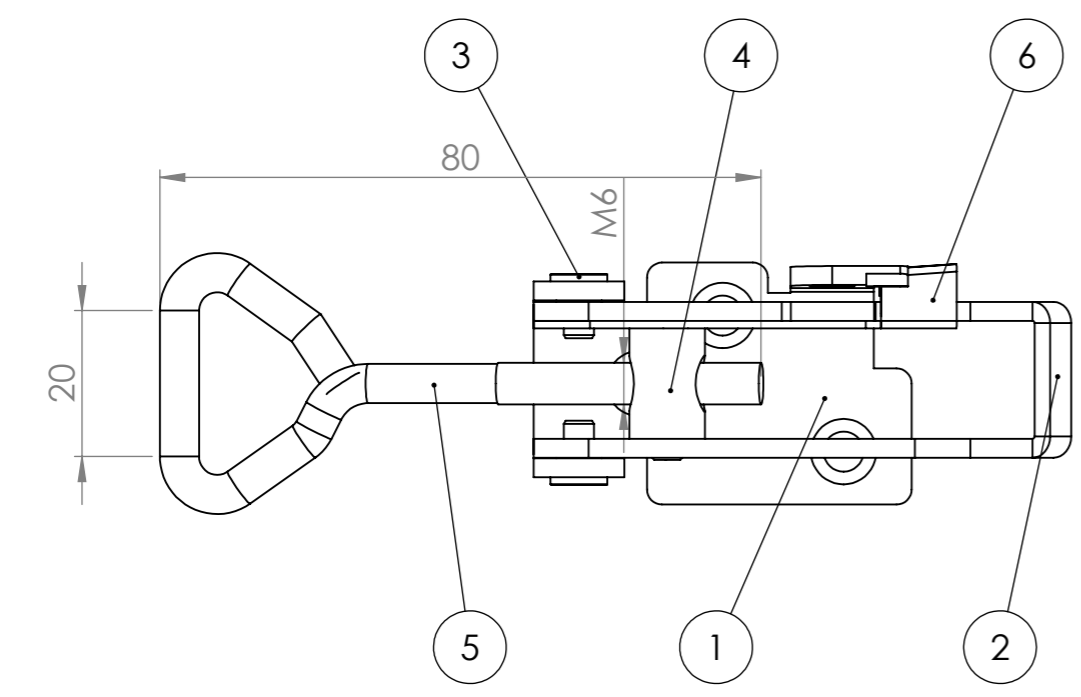
E E

D D

C C

B B

A A



ITEM NO.	PART NUMBER	DESCRIPTION	QTY.
1	722761	Baseplate 702 L/C Safety catch ZP	1
2	721071	Bucket 702 Locking eye ZP	1
3	62011	Rivet 702 ZP	2
4	620601	Mid cylinder 702 ZP	1
5	720701	Screw loop 702 ZP	1
6	74116	Safety catch 702 SS	1

	FINISH: Zinc Plated		DEBURR AND BREAK SHARP EDGES	DO NOT SCALE DRAWING	REVISION 01																	
	<table border="1"> <thead> <tr> <th>NAME</th> <th>SIGNATURE</th> <th>DATE</th> </tr> </thead> <tbody> <tr> <td>DRAWN RR</td> <td></td> <td>9/5 - 17</td> </tr> <tr> <td>CHK'D PR</td> <td></td> <td>23/8 - 17</td> </tr> <tr> <td>APPV'D XXXX</td> <td></td> <td>XXXX</td> </tr> <tr> <td>MFG XXXX</td> <td></td> <td>XXXX</td> </tr> <tr> <td>Q.A XXXX</td> <td></td> <td>XXXX</td> </tr> </tbody> </table>			NAME	SIGNATURE	DATE	DRAWN RR		9/5 - 17	CHK'D PR		23/8 - 17	APPV'D XXXX		XXXX	MFG XXXX		XXXX	Q.A XXXX		XXXX	TITLE: 52076 - 702 LC ZP Safety catch
NAME	SIGNATURE	DATE																				
DRAWN RR		9/5 - 17																				
CHK'D PR		23/8 - 17																				
APPV'D XXXX		XXXX																				
MFG XXXX		XXXX																				
Q.A XXXX		XXXX																				
MATERIAL: DC01-A-M			DWG NO. 52076 - 702 LC ZP Safety catch SCALE: 1:1		SHEET 1 OF 1 A3																	
WEIGHT: 0.094 KG																						

8 7 6 5 4 3 2 1