

# Flat suction cup (round)

PFG 30 VU1-72 N007

Part no.: 10.01.01.00549

<https://www.schmalz.com/10.01.01.00549>



Homepage > Vacuum Technology for Automation > Vacuum Components > Vacuum Suction Cups > Suction Cups for Packaging > PFG 30 VU1-72 N007

## Flat suction cup (round) for smooth or slightly rough surfaces

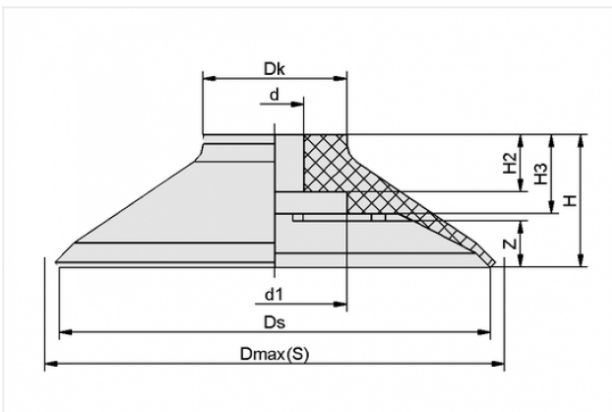


Size: 30

Suction cup material: Vulkollan VU1

Material hardness: 72 °Sh

### Design Data



Attribute	Value
-----------	-------

d	6 mm
---	------

d1	11 mm
----	-------

Dk	16 mm
----	-------

Dmax(S)	31.5 mm
---------	---------

Ds	29 mm
----	-------

H	13 mm
---	-------

H2	7 mm
----	------

H3	7 mm
----	------

Z	3 mm
---	------

### Contact to Schmalz

J. Schmalz GmbH | Johannes-Schmalz-Straße, 72293 Glatten, Deutschland | +49 7443 2403-102 | [customercenter@schmalz.de](mailto:customercenter@schmalz.de)

## Technical Data

Attribute	Value
Size	30
Suction cup material	Vulkollan VU1
Suction force	32 N
Volume	2.064 cm <sup>3</sup>
Curve radius (min) (convex)	30 mm
Material hardness	72 °Sh
Weight	2.5 g
Number of folds	0
Product family	PFG

## Accessories



### SA-NIP N007 G1/8-AG DN240

Part no. 10.01.01.03531

Suction cup connection nipple

Nipple: N 007

Thread G1: G1/8-M

Overall length: 21.5 mm

Fitting length: 5 mm

Nominal size: 2,40 mm

Material: Aluminium

Spanner size SW2: 4 mm



**SA-NIP N007 G1/8-IG DN350**

Part no. 10.01.01.03523

Suction cup connection nipple

Nipple: N 007

Thread G1: G1/8-F

Overall length: 24.5 mm

Fitting length: 16 mm

Nominal size: 3,50 mm

Material: Aluminium

Spanner size SW2: 4 mm