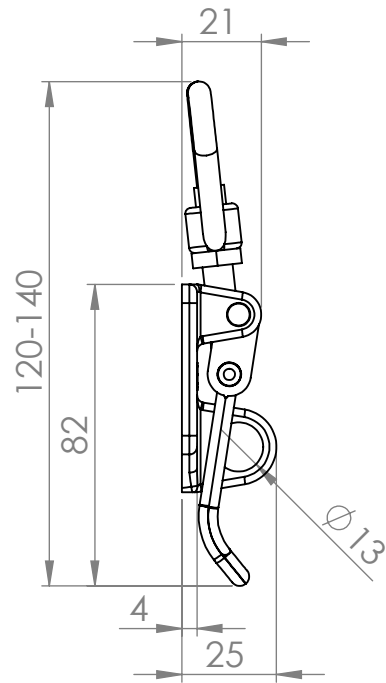
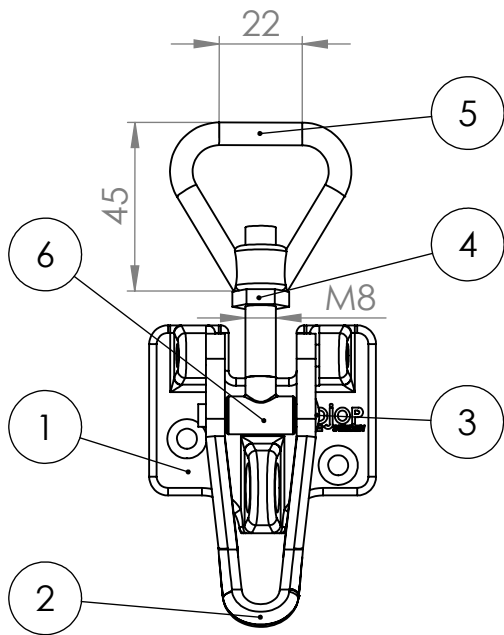


4 3 2 1

F

F

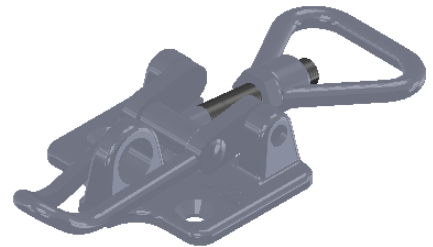
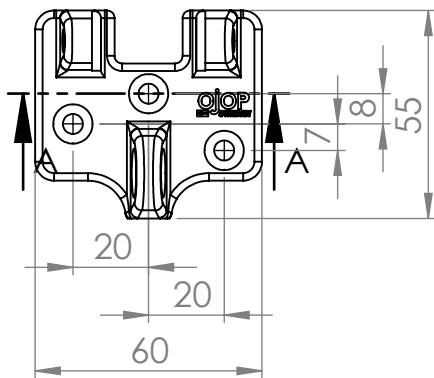


E

E

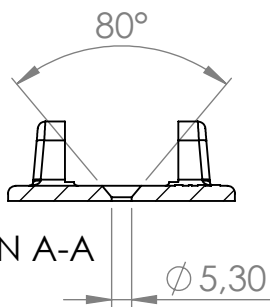
D

D



C

C



ITEM NO.	PART NUMBER	DESCRIPTION	QTY.
1	713531	Baseplate 203 C ZP	1
2	711211	Bracket 3 ZP	1
3	61240	Rivet 6x32 ZP	1
4	61031	Nut M8x13x4 ZP	1
5	710211	Loop 3 ZP	1
6	611301	Adjustment screw M8x55 ZP	1

B

B



FINISH: Zinc Plated

DEBURR AND BREAK SHARP EDGES

REVISION

OJOP Sweden AB

NAME	SIGNATURE	DATE
DRAWN RR		1/6 - 17
CHKD PR		22/8 - 17
APPVD XXXX		XXXX
MFG XXXX		XXXX
Q.A XXXX		XXXX

TITLE:	51051 - 203 C ZP	
DWG NO.	51051 - 203 C ZP	A4
MATERIAL:	Forged SS 2172	
WEIGHT:	0,229 KG	SCALE:1:2
		SHEET 1 OF 1

A

A

4 3 2 1