

4 3 2 1

F

F

E

E

D

D

C

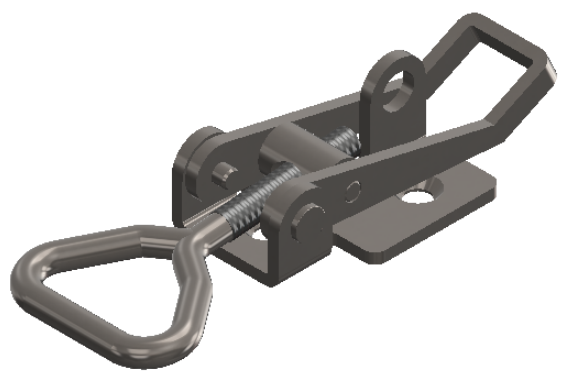
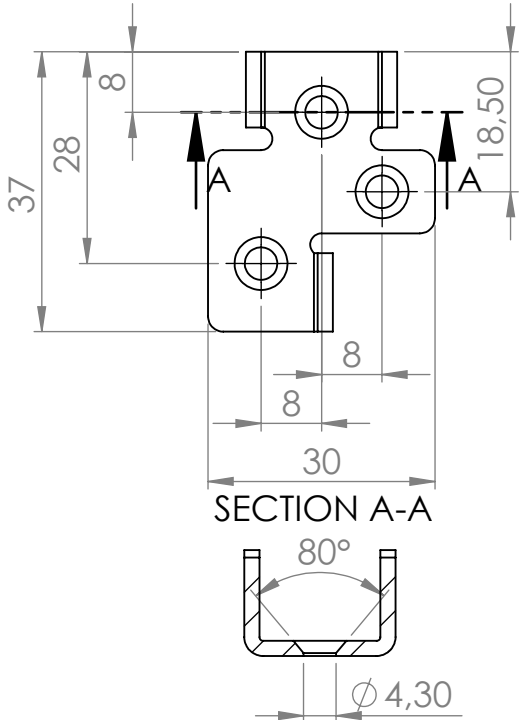
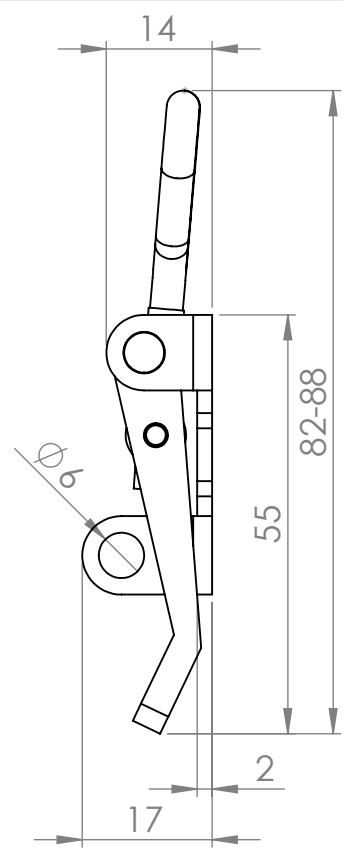
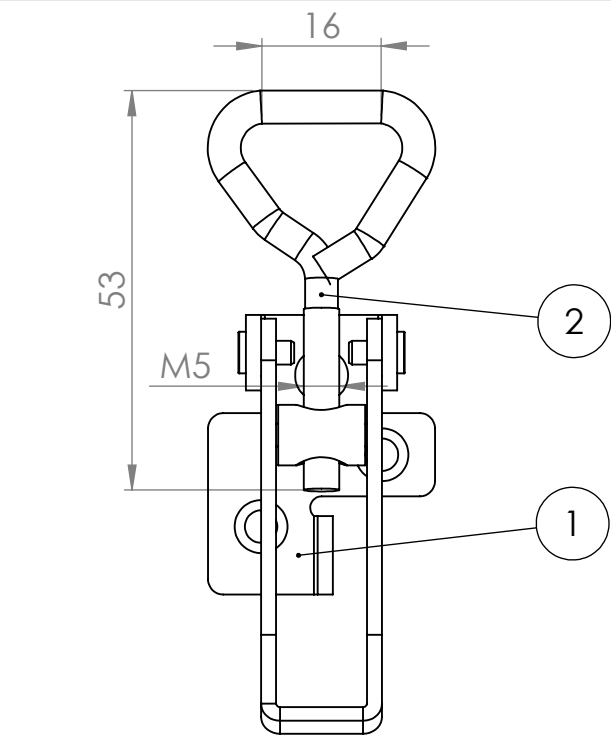
C

B

B

A

A



ITEM NO.	PART NUMBER	DESCRIPTION	QTY.
1	74340	Baseplate-Bracket 701 L/C SS Electropolished	1
2	74060	Screw loop 701 SS Electropolished	1



FINISH: Electropolished

DEBURR AND BREAK SHARP EDGES

REVISION

OJOP Sweden AB

NAME	SIGNATURE	DATE
DRAWN RR		5/5 - 17
CHK'D PR		13/7 - 17
APPV'D XXXX		XXXX
MFG XXXX		XXXX
Q.A XXXX		XXXX

TITLE: **54040 - 701 LC Stainless**

DWG NO. 54040 - 701 LC Stainless

MATERIAL: SS2343

SCALE: 1:1

SHEET 1 OF 1

4 3 2 1