

# Flat suction cup (round)

<https://www.schmalz.com/10.01.01.00557>



PFYN 15 VU1-72 G1/8-IG

Part no.: 10.01.01.00557

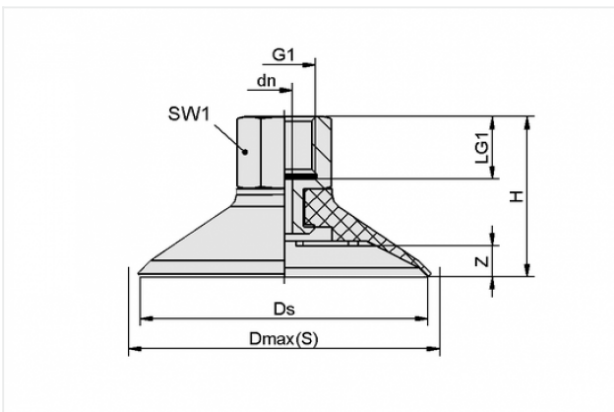
Homepage > Vacuum Technology for Automation > Vacuum Components > Vacuum Suction Cups > Suction Cups for Handling Sheet Metal > Flat Suction Cups PFYN VU1 > PFYN 15 VU1-72 G1/8-IG

## Flat suction cup (round) for smooth or slightly rough surfaces



Size: 15  
Suction cup material: Vulkollan VU1  
Material hardness: 72 °Sh  
Nipple material: Aluminium  
Vacuum connection: G1/8"-F

### Design Data



| Attribute | Value |
|-----------|-------|
|-----------|-------|

|         |         |
|---------|---------|
| Dmax(S) | 17.5 mm |
|---------|---------|

|    |      |
|----|------|
| dn | 2 mm |
|----|------|

|    |         |
|----|---------|
| Ds | 14.5 mm |
|----|---------|

|    |         |
|----|---------|
| G1 | G1/8"-F |
|----|---------|

|   |         |
|---|---------|
| H | 25.5 mm |
|---|---------|

|     |      |
|-----|------|
| LG1 | 9 mm |
|-----|------|

|     |       |
|-----|-------|
| SW1 | 14 mm |
|-----|-------|

|   |        |
|---|--------|
| Z | 1.5 mm |
|---|--------|

### Technical Data

#### Contact to Schmalz

J. Schmalz GmbH | Johannes-Schmalz-Straße, 72293 Glatten, Deutschland | +49 7443 2403-102 | [customercenter@schmalz.de](mailto:customercenter@schmalz.de)

| Attribute                       | Value               |
|---------------------------------|---------------------|
| Suction cup material            | Vulkollan VU1       |
| Size                            | 15                  |
| Suction force                   | 8.5 N               |
| Volume                          | 0.5 cm <sup>3</sup> |
| Curve radius (min) (convex)     | 12.5 mm             |
| Internal hose diameter (recom.) | 4 mm                |
| Nipple                          | N 005               |
| Material hardness               | 72 °Sh              |
| Weight                          | 7.7 g               |
| Number of folds                 | 0                   |
| Product family                  | PFYN                |

## Spare Parts



### SA-NIP N005 G1/8-IG DN200

Part no. 10.01.01.03521

Suction cup connection nipple

Nipple: N 005

Thread G1: G1/8"-F

Overall length: 20.5 mm

Fitting length: 16 mm

Nominal size: 2.00 mm

Material: Aluminium



**PFG 15 VU1-72 N005**

Part no. 10.01.01.00555

Flat suction cup (round) for smooth or slightly rough surfaces

Size: 15

Suction cup material: Vulkollan VU1

Material hardness: 72 °Sh