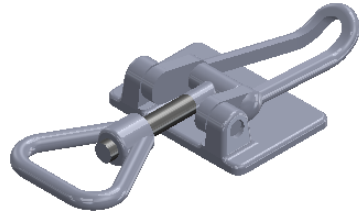
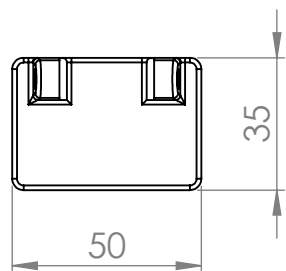
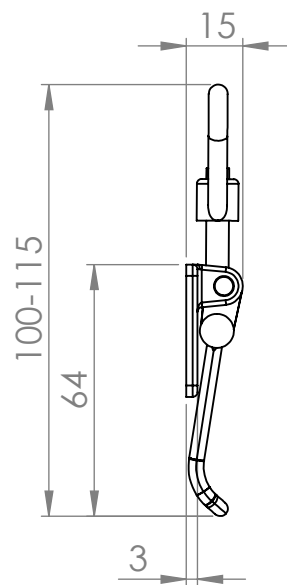
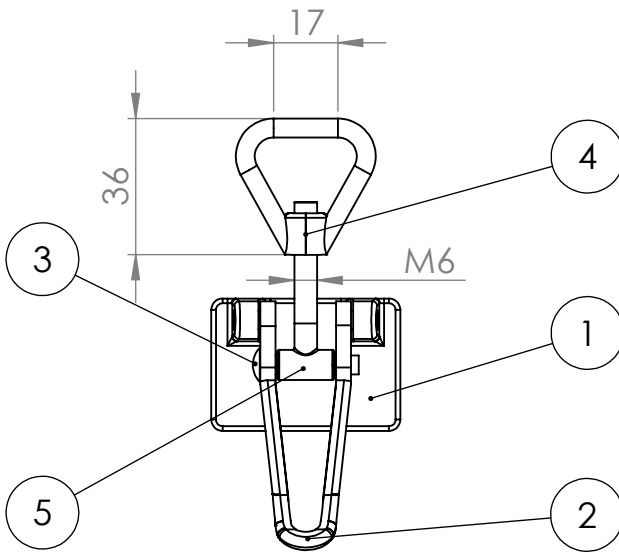


4 3 2 1

F

F



D

D

C

C

ITEM NO.	PART NUMBER	Description	QTY.
1	71311	Baseplate 102 A	1
2	71111	Bracket 2	1
3	61220	Rivet 5x26 ZP	1
4	71011	Loop 2	1
5	61120	Adjustment screw M6x47	1

B

B



FINISH: Untreated

DEBURR AND BREAK SHARP EDGES

REVISION

OJOP Sweden AB

NAME	SIGNATURE	DATE
DRAWN RR		31/5 - 17
CHK'D PR		22/8 - 17
APPV'D XXXX		XXXX
MFG XXXX		XXXX
Q.A XXXX		XXXX

TITLE:	51010 - 102 A	
DWG NO.	51010 - 102 A	A4
WEIGHT: 0,098 KG	SCALE:1:2	SHEET 1 OF 1

A

A

4 3 2 1