

4 3 2 1

F

F

E

E

D

D

C

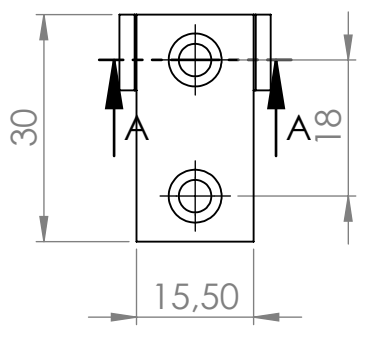
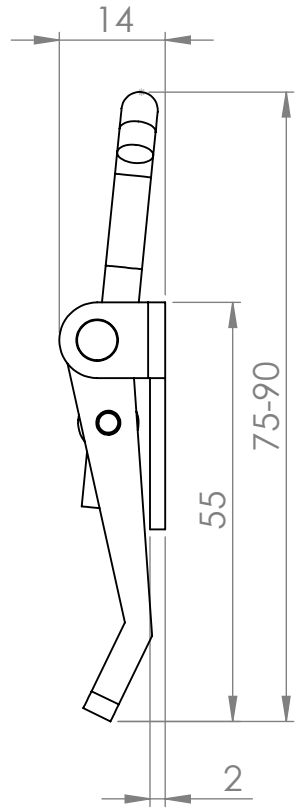
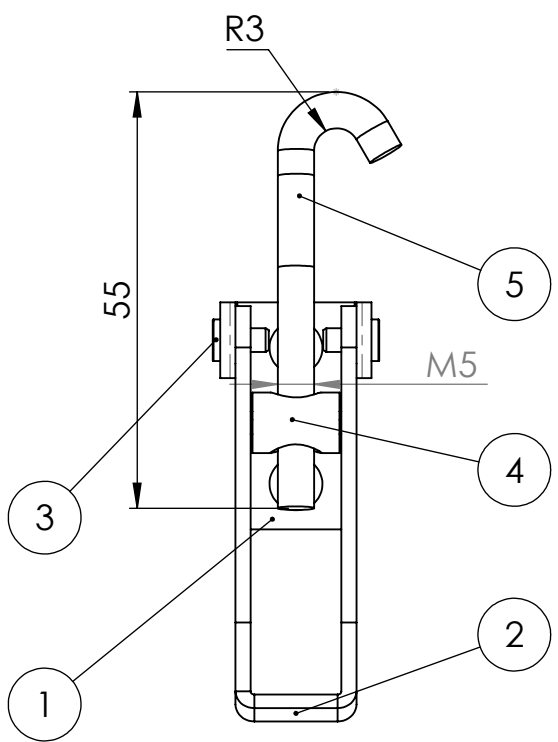
C

B

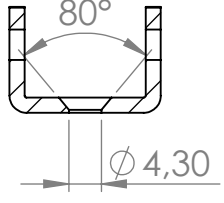
B

A

A



SECTION A-A



ITEM NO.	PART NUMBER	QTY.
1	701 - Baseplate SC	1
2	701 - Bracket	1
3	701 - Rivet	2
4	701 - Mid cylinder	1
5	701 - Hook Screw M5	1



FINISH: Zinc Plated

DEBURR AND BREAK SHARP EDGES

REVISION

OJOP Sweden AB

NAME	SIGNATURE	DATE
DRAWN RR		5/5 - 17
CHK'D PR		30/8 - 17
APPV'D XXXX		XXXX
MFG XXXX		XXXX
Q.A XXXX		XXXX

TITLE: 520032 - 701 HSC ZP

MATERIAL: DC01

DWG NO. 520032 - 701 HSC ZP

A4

WEIGHT: 0,033 KG

SCALE:1:1

SHEET 1 OF 1

4 3 2 1