

# Flat suction cup (round)

<https://www.schmalz.com/10.01.01.00555>



## PFG 15 VU1-72 N005

Part no.: 10.01.01.00555

Homepage > Vacuum Technology for Automation > Vacuum Components > Vacuum Suction Cups > Suction Cups for Packaging > PFG 15 VU1-72 N005

### Flat suction cup (round) for smooth or slightly rough surfaces

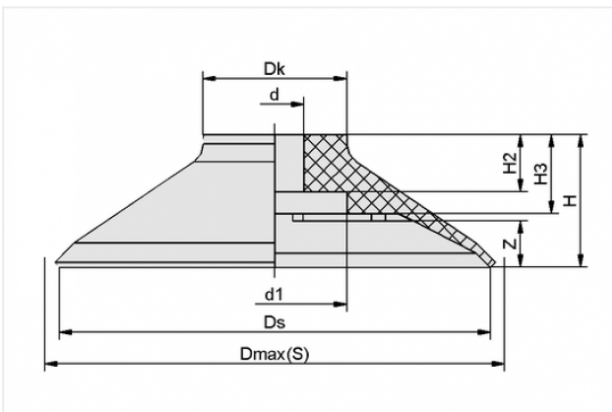


Size: 15

Suction cup material: Vulkollan VU1

Material hardness: 72 °Sh

### Design Data



Attribute	Value
-----------	-------

d	4.5 mm
---	--------

d1	8.5 mm
----	--------

Dk	11.5 mm
----	---------

Dmax(S)	17 mm
---------	-------

Ds	14.5 mm
----	---------

H	9.5 mm
---	--------

H2	2.5 mm
----	--------

H3	4.5 mm
----	--------

Z	1.5 mm
---	--------

### Contact to Schmalz

J. Schmalz GmbH | Johannes-Schmalz-Straße, 72293 Glatten, Deutschland | +49 7443 2403-102 | [customercenter@schmalz.de](mailto:customercenter@schmalz.de)

## Technical Data

Attribute	Value
Size	15
Suction cup material	Vulkollan VU1
Suction force	8.5 N
Volume	0.4725 cm <sup>3</sup>
Curve radius (min) (convex)	12.5 mm
Material hardness	72 °Sh
Weight	0.7 g
Number of folds	0
Product family	PFG

## Accessories



### SA-NIP N005 G1/8-AG DN200

Part no. 10.01.01.03529

Suction cup connection nipple

Nipple: N 005

Thread G1: G1/8-M

Overall length: 17.5 mm

Fitting length: 5 mm

Nominal size: 2.00 mm

Material: Aluminium



**SA-NIP N005 G1/8-IG DN200**

Part no. 10.01.01.03521

Suction cup connection nipple

Nipple: N 005

Thread G1: G1/8"-F

Overall length: 20.5 mm

Fitting length: 16 mm

Nominal size: 2.00 mm

Material: Aluminium