

Flat suction cup (round)

<https://www.schmalz.com/10.01.01.00556>



PFYN 15 VU1-72 G1/8-AG

Part no.: 10.01.01.00556

Homepage > Vacuum Technology for Automation > Vacuum Components > Vacuum Suction Cups > PFYN 15 VU1-72 G1/8-AG

Flat suction cup (round) for smooth or slightly rough surfaces



Size: 15

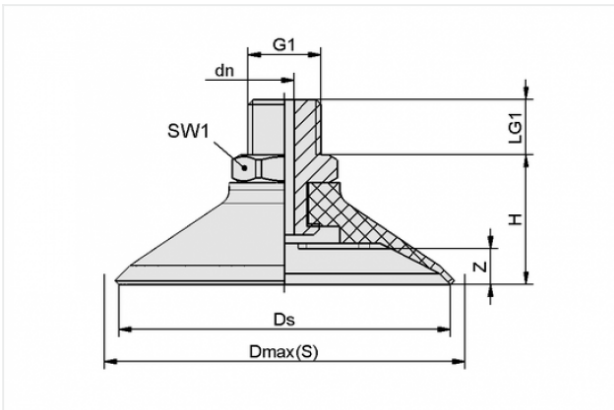
Suction cup material: Vulkollan VU1

Material hardness: 72 °Sh

Nipple material: Aluminium

Vacuum connection: G1/8"-M

Design Data



Attribute	Value
-----------	-------

Dmax(S)	17.5 mm
---------	---------

dn	2 mm
----	------

Ds	14.5 mm
----	---------

G1	G1/8"-M
----	---------

H	14.5 mm
---	---------

LG1	8 mm
-----	------

SW1	14 mm
-----	-------

Z	1.5 mm
---	--------

Technical Data

Attribute	Value
-----------	-------

Suction cup material	Vulkollan VU1
----------------------	---------------

Contact to Schmalz

J. Schmalz GmbH | Johannes-Schmalz-Straße, 72293 Glatten, Deutschland | +49 7443 2403-102 | customercenter@schmalz.de

Attribute	Value
Size	15
Suction force	8.5 N
Volume	0.5 cm ³
Curve radius (min) (convex)	12.5 mm
Internal hose diameter (recom.)	4 mm
Nipple	N 005
Material hardness	72 °Sh
Weight	6.4 g
Number of folds	0
Product family	PFYN

Spare Parts



SA-NIP N005 G1/8-AG DN200

Part no. 10.01.01.03529

Suction cup connection nipple

Nipple: N 005

Thread G1: G1/8-M

Overall length: 17.5 mm

Fitting length: 5 mm

Nominal size: 2.00 mm

Material: Aluminium



PFG 15 VU1-72 N005

Part no. 10.01.01.00555

Flat suction cup (round) for smooth or slightly rough surfaces

Size: 15

Suction cup material: Vulkollan VU1

Material hardness: 72 °Sh