



EH Hinge

Surface Mount

- Allows 180 degree opening
- Adjustable mounting
- Ideal for larger doors

Material and Finish

Leaves: Aluminum alloy, black paint
Pin: Stainless steel

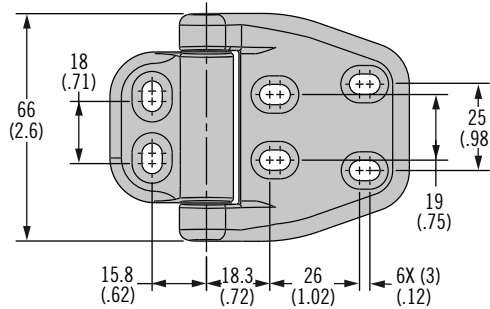
Performance Details

Radial load:
Max. static load: XXX N (XX lbf)
Axial load:
Max. static load: XXX N (XX lbf)

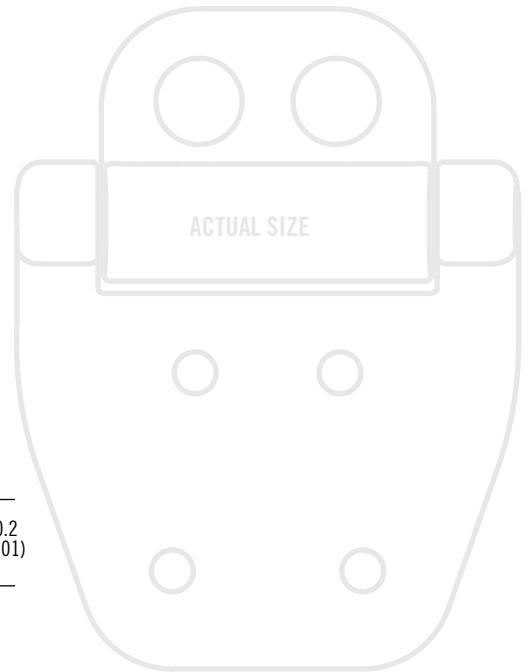
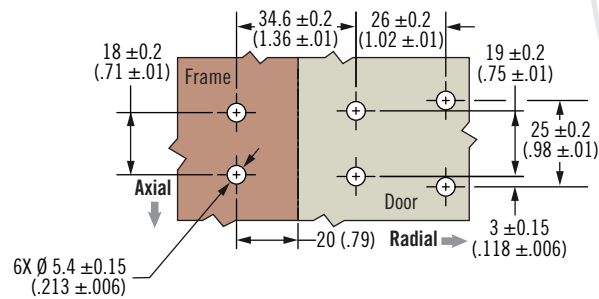
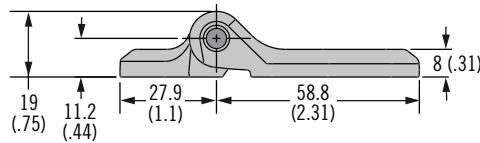
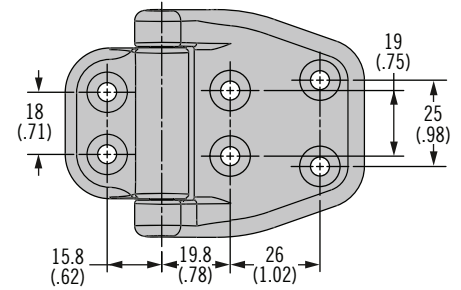
Installation Notes

Counterbore version:
M5 (No. 10) pan head screws
(not supplied)
Countersunk version:
M5 (No.10) flat head screws
(not supplied)

Counterbore Thru-Holes



Countersunk Thru-Holes



Part Number

See table

Part Number	
Counterbore Thru-Hole	EH-8C-6W8-82
Countersunk Thru-Hole	EH-8C-6V8-82