

Flat suction cup (round)

PFG 200 SI-55 N010

Part no.: 10.01.01.00336

<https://www.schmalz.com/10.01.01.00336>



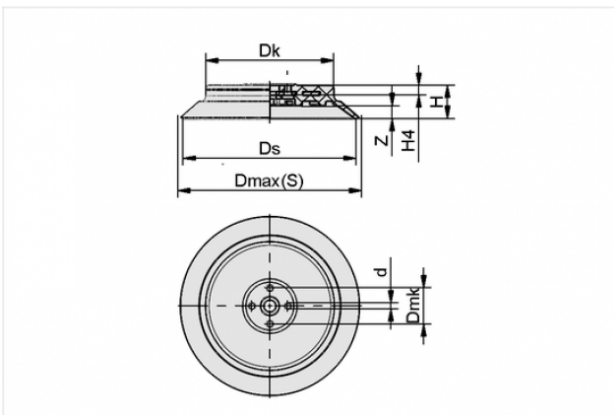
Homepage > Vacuum Technology for Automation > Vacuum Components > Vacuum Suction Cups > Flat Suction Cups (Round) > PFG 200 SI-55 N010

Flat suction cup (round) for smooth or slightly rough surfaces



Size: 200
Suction cup material: Silicone SI
Material hardness: 55 °Sh
Material characteristics:
FDA-compatible

Design Data



Attribute	Value
-----------	-------

d	7 mm
---	------

D mk	40 mm
------	-------

Dk	142.5 mm
----	----------

Dmax(S)	222 mm
---------	--------

Ds	193 mm
----	--------

H	37 mm
---	-------

H4	11 mm
----	-------

Z	13 mm
---	-------

Technical Data

Contact to Schmalz

J. Schmalz GmbH | Johannes-Schmalz-Straße, 72293 Glatten, Deutschland | +49 7443 2403-102 | customercenter@schmalz.de

Attribute	Value
Suction force	1498 N
Volume	401.915 cm ³
Curve radius (min) (convex)	400 mm
Size	200
Nipple	N 010
Number of folds	0
Suction cup material	Silicone SI
Material hardness	55 °Sh
Weight	630 g
Product family	PFG

Accessories



SU 210

Part no. 10.01.01.12439

Cover for suction cup

Size: 210

Clamping range: 210.0 ... 220.0 mm

Temperature resistance: 80 °C



SA-NIP N010 G1/2-IG

Part no. 10.01.01.00796

Suction-pad connection nipple pre-assembly

Nipple: N 010

Thread 1: G1/2-F

Length: 13 mm

for: Flat suction pad PFG