

# Flat suction cup (round)

<https://www.schmalz.com/10.01.01.00335>



## PFG 200 NBR-55 N010

Part no.: 10.01.01.00335

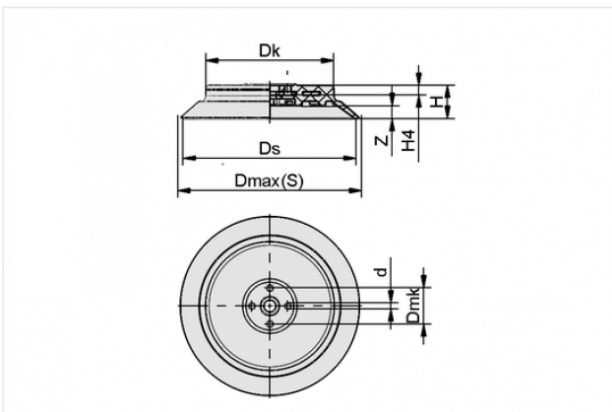
Homepage > Vacuum Technology for Automation > Vacuum Components > Vacuum Suction Cups > Flat Suction Cups (Round) > PFG 200 NBR-55 N010

### Flat suction cup (round) for smooth or slightly rough surfaces



Size: 200  
Suction cup material:  
Nitrile rubber NBR  
Material hardness: 55 °Sh

#### Design Data



Attribute	Value
-----------	-------

d	7 mm
---	------

D mk	40 mm
------	-------

Dk	142.5 mm
----	----------

Dmax(S)	222 mm
---------	--------

Ds	193 mm
----	--------

H	37 mm
---	-------

H4	11 mm
----	-------

Z	13 mm
---	-------

#### Technical Data

#### Contact to Schmalz

J. Schmalz GmbH | Johannes-Schmalz-Straße, 72293 Glatten, Deutschland | +49 7443 2403-102 | [customercenter@schmalz.de](mailto:customercenter@schmalz.de)

Attribute	Value
Suction force	1498 N
Volume	401.915 cm <sup>3</sup>
Curve radius (min) (convex)	400 mm
Size	200
Nipple	N 010
Number of folds	0
Suction cup material	Nitrile rubber NBR
Material hardness	55 °Sh
Weight	671 g
Product family	PFG

## Accessories



### SU 210

Part no. 10.01.01.12439

Cover for suction cup

Size: 210

Clamping range: 210.0 ... 220.0 mm

Temperature resistance: 80 °C



**SA-NIP N010 G1/2-IG**

Part no. 10.01.01.00796

Suction-pad connection nipple pre-assembly

Nipple: N 010

Thread 1: G1/2-F

Length: 13 mm

for: Flat suction pad PFG