

Flat suction cup (round)

<https://www.schmalz.com/10.01.01.00333>



PFG 150 NBR-55 N010

Part no.: 10.01.01.00333

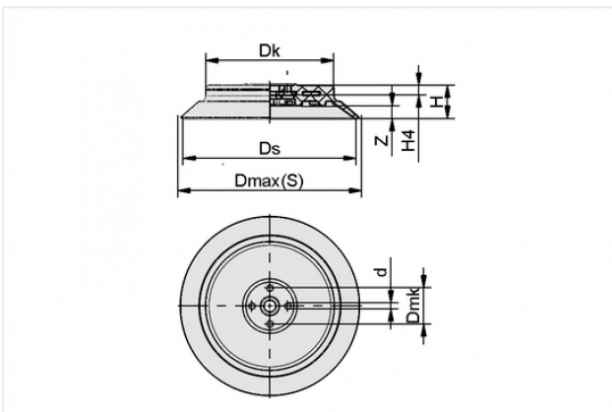
Homepage > Vacuum Technology for Automation > Vacuum Components > Vacuum Suction Cups > Flat Suction Cups (Round) > PFG 150 NBR-55 N010

Flat suction cup (round) for smooth or slightly rough surfaces



Size: 150
Suction cup material:
Nitrile rubber NBR
Material hardness: 55 °Sh

Design Data



Attribute	Value
-----------	-------

d	7 mm
---	------

D mk	40 mm
------	-------

Dk	104.5 mm
----	----------

Dmax(S)	158 mm
---------	--------

Ds	147.5 mm
----	----------

H	31 mm
---	-------

H4	11 mm
----	-------

Z	9 mm
---	------

Technical Data

Contact to Schmalz

J. Schmalz GmbH | Johannes-Schmalz-Straße, 72293 Glatten, Deutschland | +49 7443 2403-102 | customercenter@schmalz.de

Attribute	Value
Suction force	842 N
Volume	164.707 cm ³
Curve radius (min) (convex)	300 mm
Size	150
Nipple	N 010
Number of folds	0
Suction cup material	Nitrile rubber NBR
Material hardness	55 °Sh
Weight	411.3 g
Product family	PFG

Accessories



SU 160

Part no. 10.01.01.12438

Cover for suction cup

Size: 160

Clamping range: 150.0 ... 180.0 mm

Temperature resistance: 80 °C



SA-NIP N010 G1/2-IG

Part no. 10.01.01.00796

Suction-pad connection nipple pre-assembly

Nipple: N 010

Thread 1: G1/2-F

Length: 13 mm

for: Flat suction pad PFG