

Flat suction cup (round)

<https://www.schmalz.com/10.01.01.00331>



PFG 120 NBR-55 N010

Part no.: 10.01.01.00331

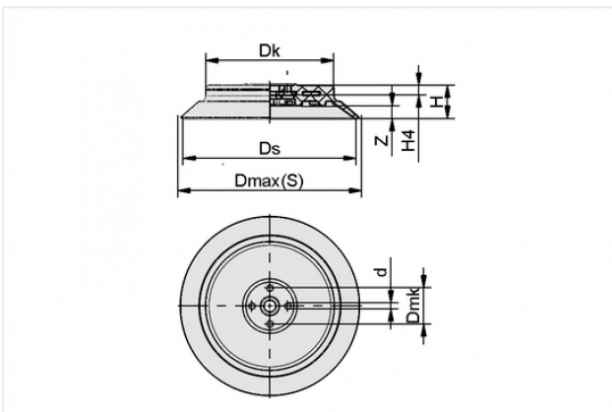
Homepage > Vacuum Technology for Automation > Vacuum Components > Vacuum Suction Cups > Flat Suction Cups (Round) > PFG 120 NBR-55 N010

Flat suction cup (round) for smooth or slightly rough surfaces



Size: 120
Suction cup material:
Nitrile rubber NBR
Material hardness: 55 °Sh

Design Data



Attribute	Value
-----------	-------

d	7.3 mm
---	--------

D mk	40 mm
------	-------

Dk	89.5 mm
----	---------

Dmax(S)	124 mm
---------	--------

Ds	120 mm
----	--------

H	23.5 mm
---	---------

H4	8.5 mm
----	--------

Z	6 mm
---	------

Technical Data

Contact to Schmalz

J. Schmalz GmbH | Johannes-Schmalz-Straße, 72293 Glatten, Deutschland | +49 7443 2403-102 | customercenter@schmalz.de

Attribute	Value
Suction force	540 N
Volume	75.164 cm ³
Curve radius (min) (convex)	300 mm
Size	120
Nipple	N 010
Number of folds	0
Suction cup material	Nitrile rubber NBR
Material hardness	55 °Sh
Weight	233.5 g
Product family	PFG

Accessories



PFG 120 FPM-65 N010

Part no. 10.01.01.00389

Flat suction cup (round) for smooth or slightly rough surfaces

Size: 120

Suction cup material:

Fluorocautchuc FPM

Material hardness: 65 °Sh

Material property: imprint-free