

# Flat suction cup (round)

<https://www.schmalz.com/10.01.01.00389>



## PFG 120 FPM-65 N010

Part no.: 10.01.01.00389

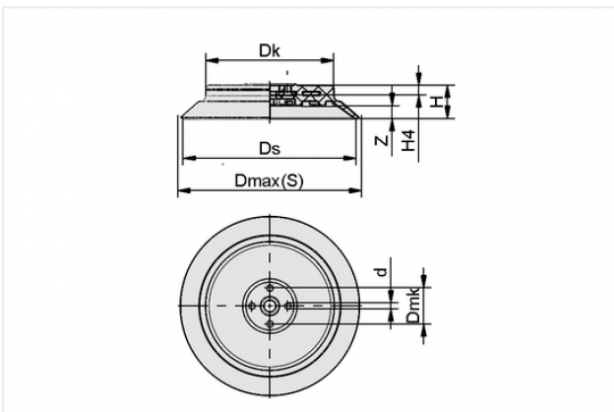
Homepage > Vacuum Technology for Automation > Vacuum Components > Vacuum Suction Cups > Flat Suction Cups (Round) > PFG 120 FPM-65 N010

### Flat suction cup (round) for smooth or slightly rough surfaces



Size: 120  
Suction cup material:  
Fluorocautchuc FPM  
Material hardness: 65 °Sh  
Material property: imprint-free

### Design Data



| Attribute | Value |
|-----------|-------|
|-----------|-------|

|   |        |
|---|--------|
| d | 7.3 mm |
|---|--------|

|      |       |
|------|-------|
| D mk | 40 mm |
|------|-------|

|    |         |
|----|---------|
| Dk | 89.5 mm |
|----|---------|

|         |        |
|---------|--------|
| Dmax(S) | 124 mm |
|---------|--------|

|    |        |
|----|--------|
| Ds | 120 mm |
|----|--------|

|   |         |
|---|---------|
| H | 23.5 mm |
|---|---------|

|    |        |
|----|--------|
| H4 | 8.5 mm |
|----|--------|

|   |      |
|---|------|
| Z | 6 mm |
|---|------|

### Technical Data

#### Contact to Schmalz

J. Schmalz GmbH | Johannes-Schmalz-Straße, 72293 Glatten, Deutschland | +49 7443 2403-102 | [customercenter@schmalz.de](mailto:customercenter@schmalz.de)

| Attribute                   | Value                  |
|-----------------------------|------------------------|
| Suction force               | 540 N                  |
| Volume                      | 75.164 cm <sup>3</sup> |
| Curve radius (min) (convex) | 300 mm                 |
| Size                        | 120                    |
| Nipple                      | N 010                  |
| Number of folds             | 0                      |
| Suction cup material        | Fluorocautchuc FPM     |
| Material hardness           | 65 °Sh                 |
| Weight                      | 295.5 g                |
| Product family              | PFG                    |

## Accessories



### SU 120

Part no. 10.01.01.12437

Cover for suction cup

Size: 120

Clamping range: 115.0 ... 130.0 mm

Temperature resistance: 80 °C



**SA-NIP N010 G1/2-IG**

Part no. 10.01.01.00796

Suction-pad connection nipple pre-assembly

Nipple: N 010

Thread 1: G1/2-F

Length: 13 mm

for: Flat suction pad PFG