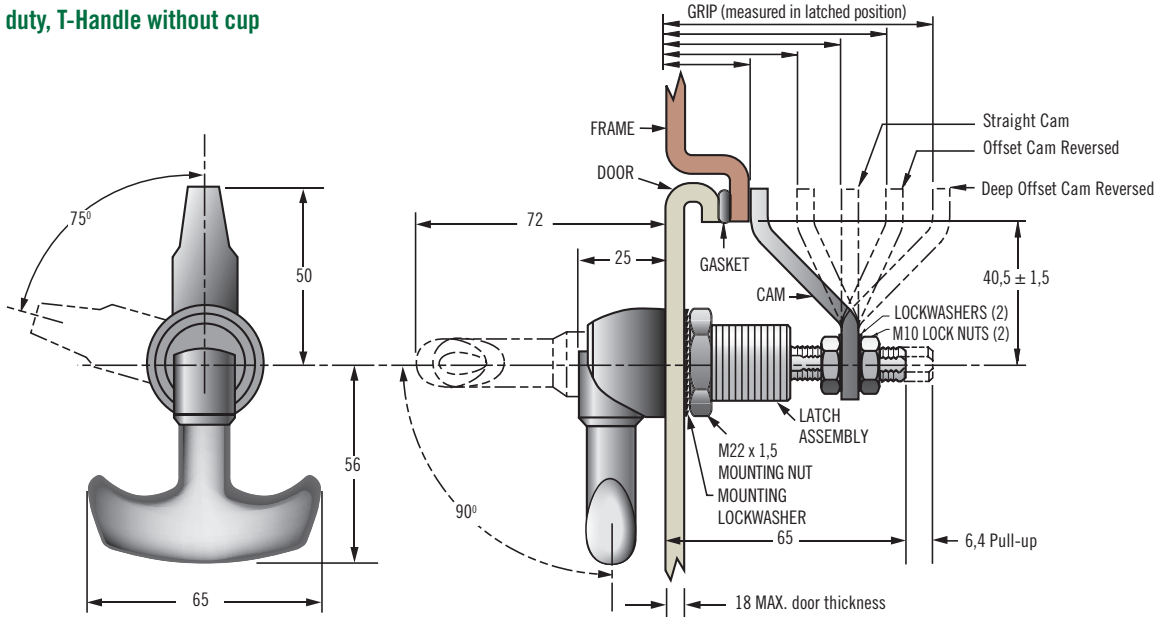


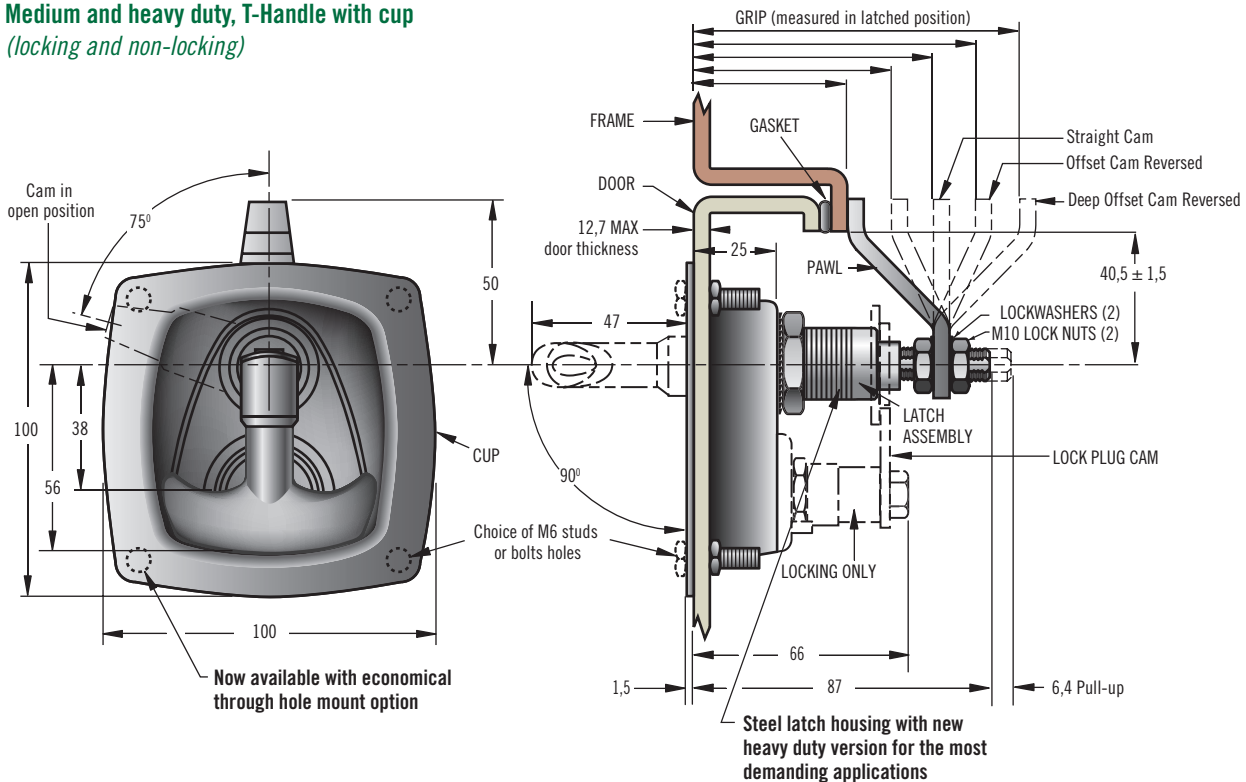
Southco® Vise Action™ N4 Compression Latch Folding T-handle Style

- New expanded family of products to meet your design, performance and cost requirements
 - Medium duty and new heavy duty versions cover a range of load requirements
 - New cost effective cup version with through holes for installation hardware

Medium duty, T-Handle without cup






Medium and heavy duty, T-Handle with cup (locking and non-locking)



All dimensions on this page are in millimeters.

Ordering Instructions:

Step 1 Determine your latch body

LATCH BODY STYLE			PART NUMBER	
Medium Duty T-handle without cup (non-locking only)			N4-2-329-0-5	
T-handle with cup	 Medium Duty Through Hole Mount	Non-locking	N4-2-315-0-5	
		Locking*	N4-2-317-0-5	
	 Medium Duty Standard	Non-Locking	N4-2-301-0-5	
		Locking*	N4-2-303-0-5	
	 Heavy Duty Standard	Non-Locking	N4-2-301-0-15	
		Locking*	N4-2-303-0-15	

* 2 flat keys on a ring supplied with each locking version, keyed alike to code CH751. Mixed keycodes and custom keycodes available. Contact Southco for more details.

Step 2 Determine your hardware

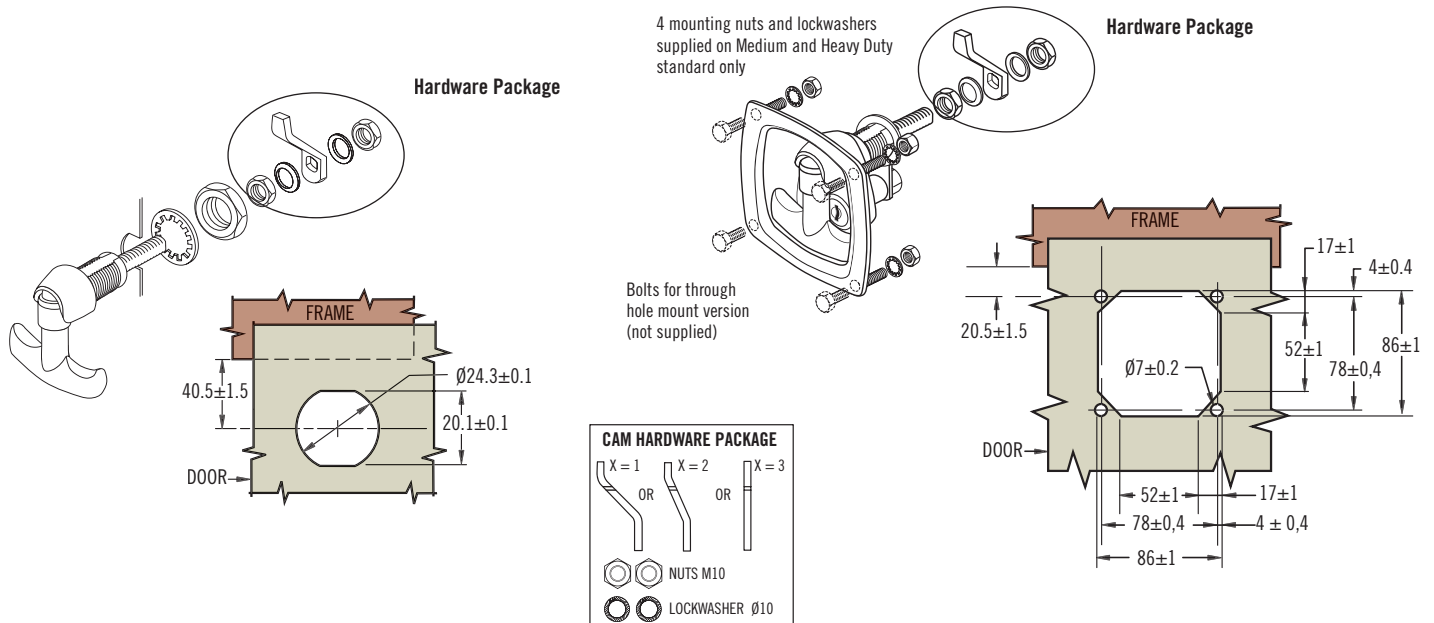
Use your grip calculation (see drawings) and note that the same cam can cover different grip ranges if used in normal or reversed position. Select the part numbers from the table below.

HARDWARE PACKAGE (Ordered Separately)				
Without Cup		With Cup		
HARDWARE PART NUMBER	Grip	HARDWARE PART NUMBER	Grip Non-Locking	Grip Locking
N4-17-301-12	12.9 - 27.4	N4-17-301-12	36.4 - 50.9	41.8 - 50.9
N4-17-302-12	25.6 - 40.1	N4-17-302-12	49.1 - 63.6	54.5 - 63.6
N4-17-303-12	38.3 - 52.8	N4-17-303-12	61.8 - 76.3	67.2 - 76.3
N4-17-302-12	51 - 65.6	N4-17-302-12	74.5 - 89	79.9 - 89
N4-17-301-12	63.7 - 78.2	N4-17-301-12	87.2 - 101.7	92.6 - 101.7

Note: Grips are measured with offset and deep offset cams in normal and reversed positions. See drawings for reference.



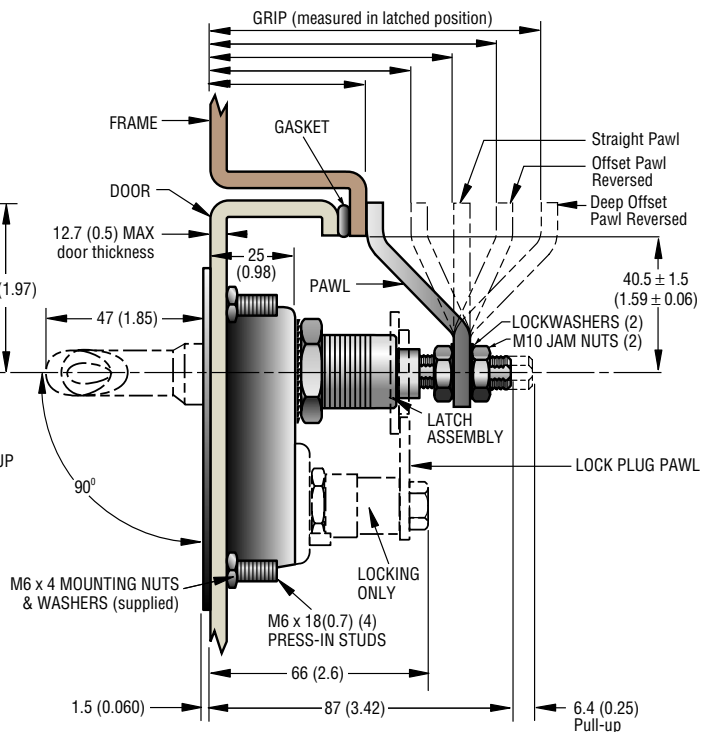
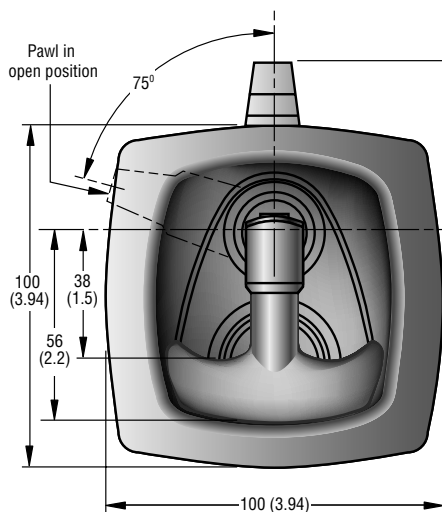
Installation Panel Preparation

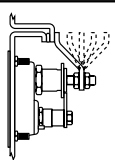
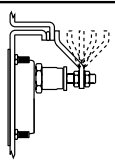


All dimensions on this page are in millimeters.

Southco® Compression Latches

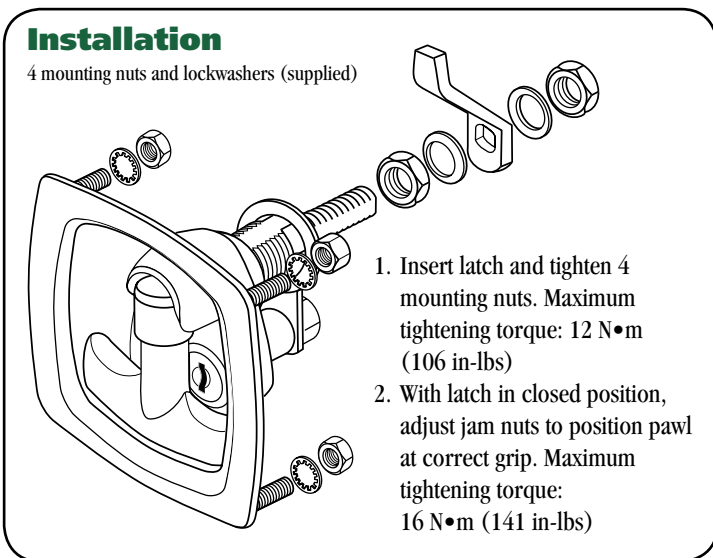
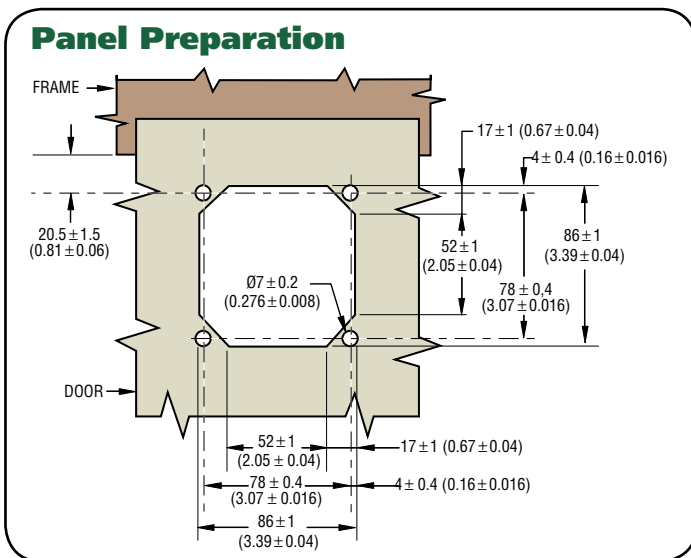
Vise Action Series, Folding T-handle Style with Cup Locking and Non-Locking Version



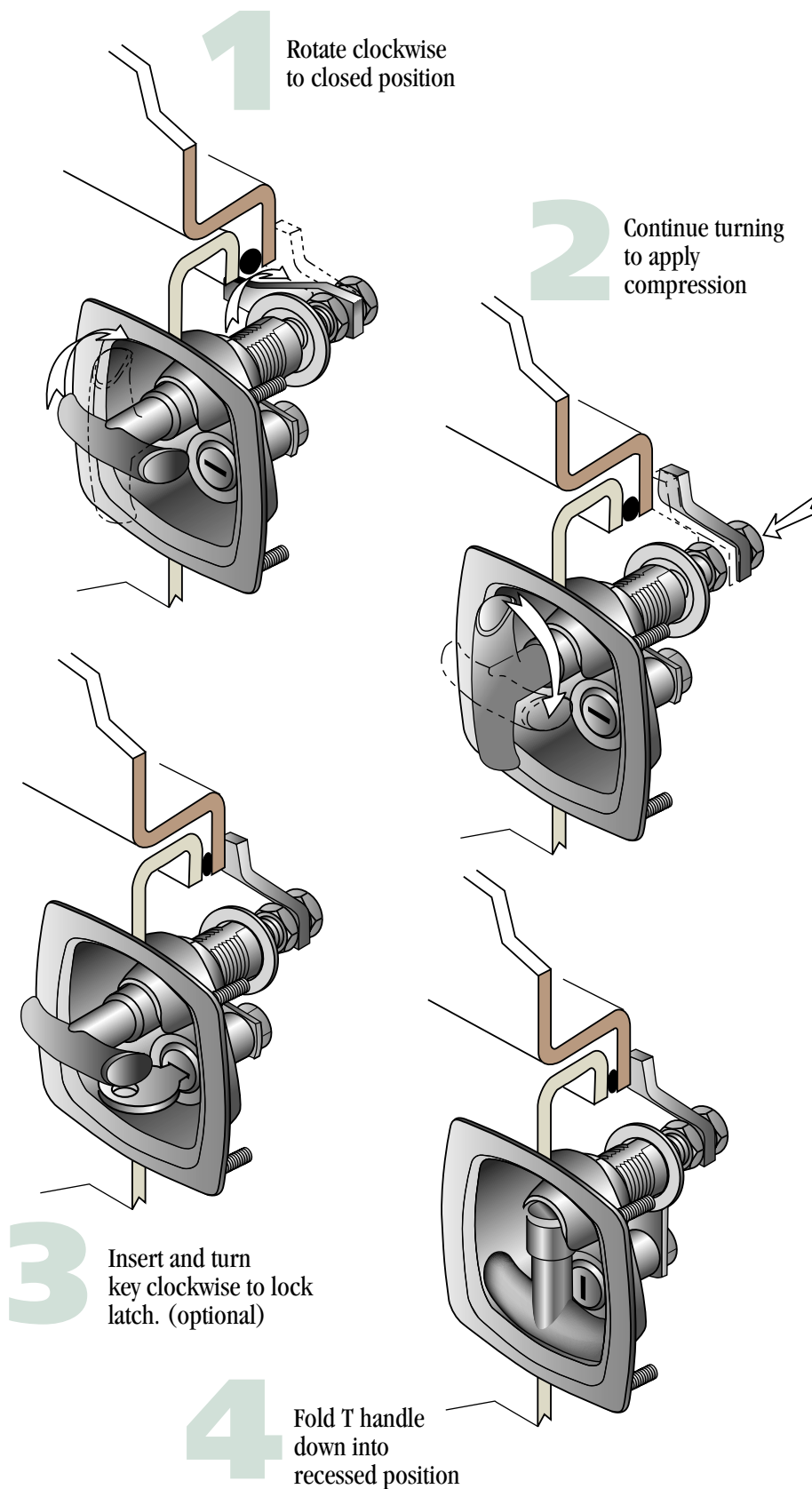
TYPE	GRIP RANGE		PART NUMBERS (Layer packed 15 piece minimum, sold in multiples of 15.)†
	MIN	MAX	
Locking 	41.8 (1.65)	50.9 (2.00)	N4-1-303-1-5*
	54.5 (2.15)	63.6 (2.50)	N4-1-303-2-5*
	67.2 (2.65)	76.3 (3.00)	N4-1-303-3-5‡
	79.9 (3.15)	89 (3.50)	N4-1-303-2-5*
	92.6 (3.65)	101.7 (4.00)	N4-1-303-1-5*
Non-Locking 	36.4 (1.43)	50.9 (2.00)	N4-1-301-1-5*
	49.1 (1.93)	63.6 (2.50)	N4-1-301-2-5*
	61.8 (2.43)	76.3 (3.00)	N4-1-301-3-5‡
	74.5 (2.93)	89 (3.50)	N4-1-301-2-5*
	87.2 (3.43)	101.7 (4.00)	N4-1-301-1-5*

For expanded product offering refer to NA product section on www.southco.com

* The same pawl (curved forward or reversed) is supplied for both short and long grips.
 ‡ For intermediate grip, straight pawl is supplied.
 † For individually packaged assemblies, add -2 to the end of the part number. Example (N4-1-303-1-5-2)



Operation/Function



Material and Finish

CUP: 1010 Steel, black powder coated.
 HOUSING, CAP AND HANDLE: Die-cast zinc, black powder coated.
 RETAINER and SPRING: 302 Stainless Steel, natural.
 'O' RING AND DETENT RUBBER: Buna-N rubber, natural.
 CAM AND SLEEVE: 1075 Case hardened steel, zinc immersion coating.
 SHAFT, NUTS: Low carbon steel, zinc plate, chromate plus sealer.
 M22 MOUNTING NUT: Die-cast zinc, zinc plate, bright chromate.
 PAWL: 1010 Steel, zinc plate, chromate plus sealer.
 PIN: 1008 Steel, zinc plate plus chromate dip.
 M10 LOCKWASHERS: Spring steel, black phosphate
 M6 MOUNTING NUT: Steel, zinc plate
 M6 and M22 LOCKWASHERS: Spring steel, zinc alloy plate, bright chromate plus sealer.
 DETENT PIN: 304 Stainless Steel, natural.

FOR LOCKING VERSION

LOCKPLUG: Die-cast zinc, nickel plate and passivate.
 LOCKING DISK: 1010 Steel, zinc plate, chromate plus sealer.
 LOCK PLUG PAWL and LOCK PLUG SCREW: Low carbon steel, zinc plate, chromate plus sealer.
 LOCKPLUG MOUNTING NUT: Brass, natural.
 KEYS: Brass, Nickel plate.

Product Strength Guidelines

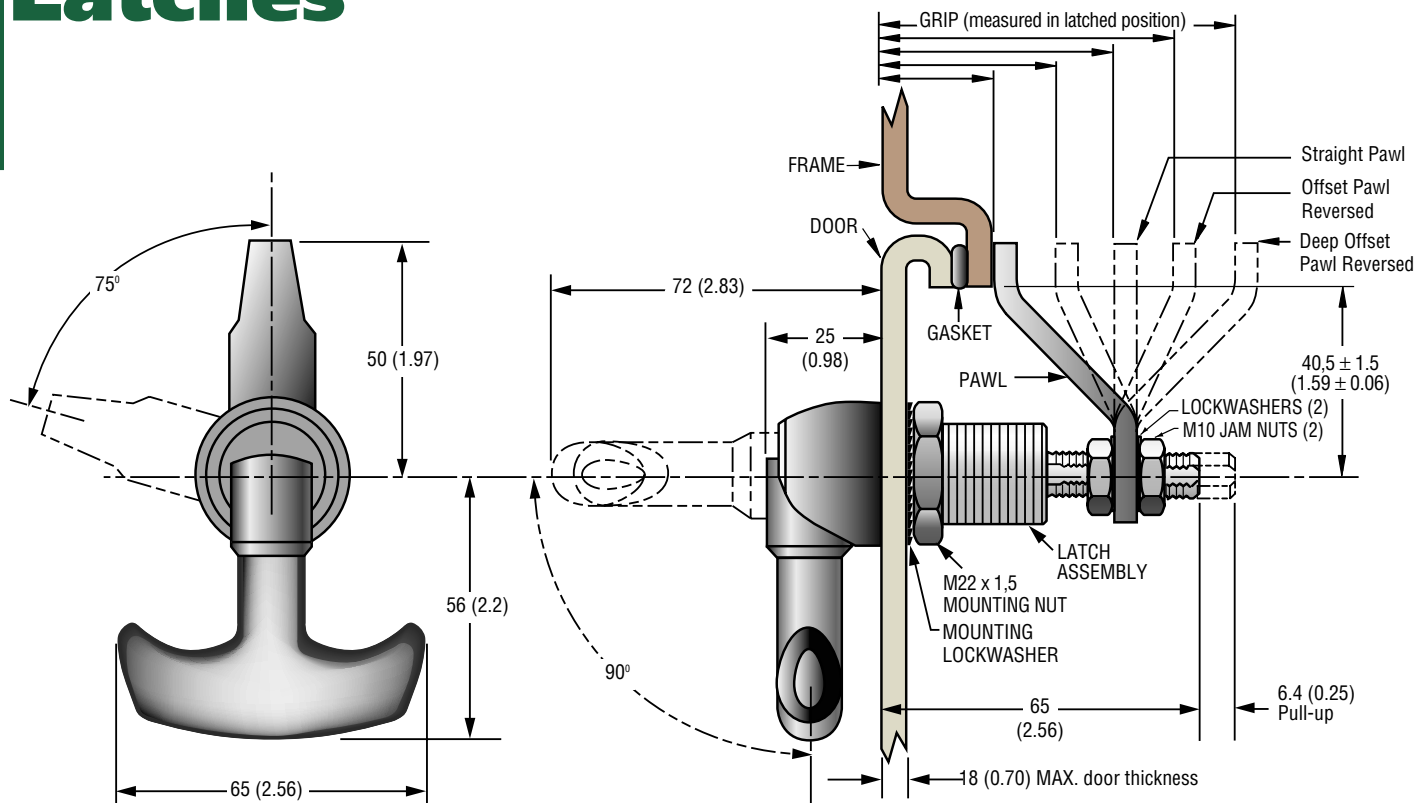
(To assist in your product selection; samples are available for your evaluation.)

Maximum static load: 600N (136 lbs.)
 Average ultimate load: 1200N (272 lbs.)
 Average compression force: 300N (67 lbs.)
 (Compression force applied to the frame when the T-handle is turned by hand)

millimeter (inch)
 millimeter
 (inch)

Dimensions without tolerances are for reference only.

Southco® Compression Latches



For expanded product offering refer to NA product section on www.southco.com

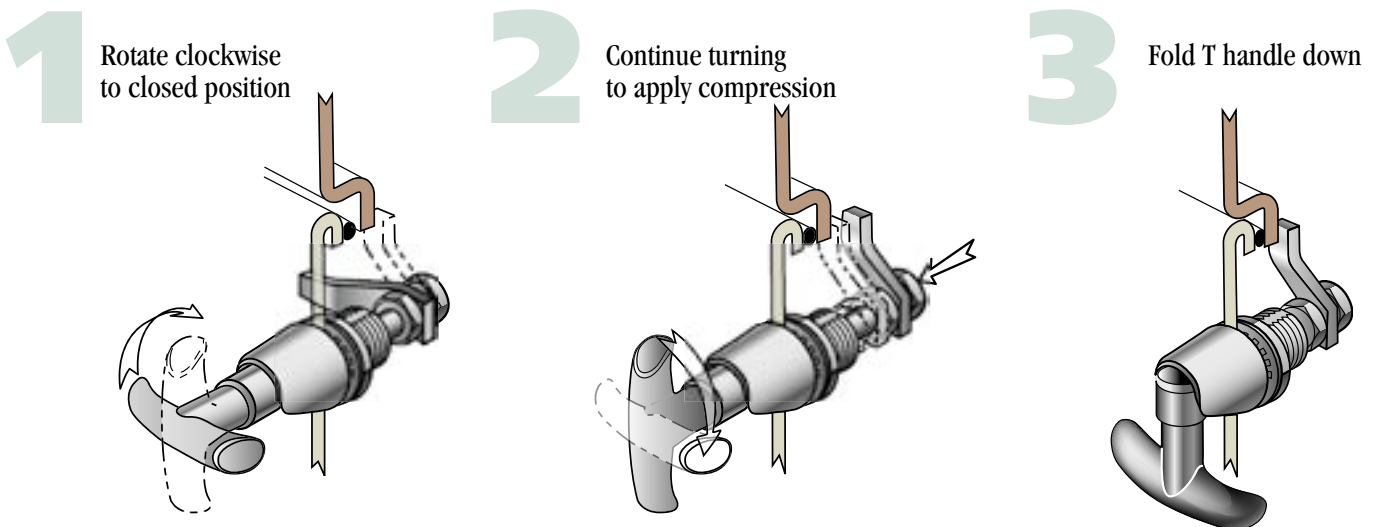
TYPE	GRIP RANGE		PART NUMBERS (Layer packed 10 piece minimum, sold in multiples of 10.)†
	MIN	MAX	
	12.9 (0.51)	27.4 (1.08)	N4-1-329-1-5*
	25.6 (1.01)	40.1 (1.58)	N4-1-329-2-5*
	38.3 (1.51)	52.8 (2.08)	N4-1-329-3-5‡
	51 (2.01)	65.5 (2.58)	N4-1-329-2-5*
	63.7 (2.51)	78.2 (3.08)	N4-1-329-1-5*

* The same pawl (curved forward or reversed) is supplied for both short and long grips.

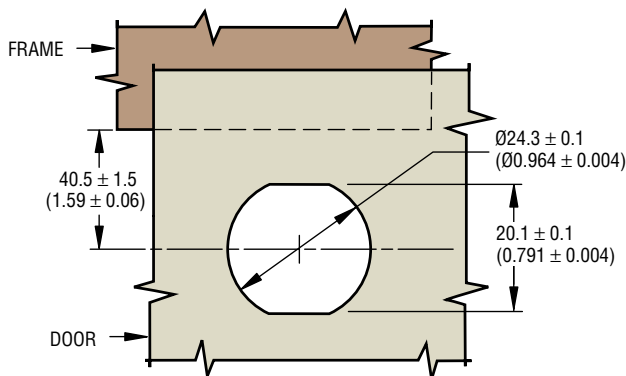
‡ For intermediate grip, straight pawl is supplied.

† For individually packaged assemblies, add -2 to the end of the part number. Example (N4-1-329-1-5-2)

Operation/Function

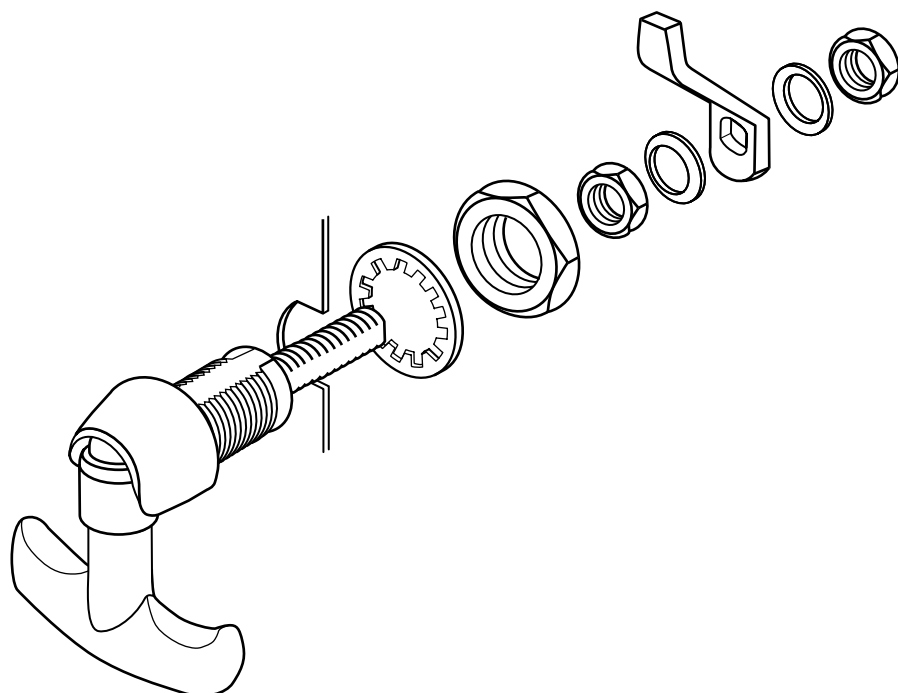


Panel Preparation



Installation

1. Insert latch and tighten mounting nut.
Max tightening torque 25 N•m (221 in-lbs.)
2. With latch in closed position, adjust jam nuts to position pawl at correct grip. Maximum tightening torque 16 N•m (141 in-lbs.)



Material and Finish

HOUSING, CAP AND HANDLE: Die-cast zinc, black powder coated.

RETAINER and SPRING: 302 Stainless Steel, natural.

‘O’ RING AND DETENT RUBBER: Buna-N rubber, natural.

CAM AND SLEEVE: 1075 Case hardened steel, zinc immersion coating.

SHAFT, NUTS: Low carbon steel, zinc plate, chromate plus sealer.

M22 MOUNTING NUT: Die-cast zinc, zinc plate, bright chromate.

PAWL: 1010 Steel, zinc plate, chromate plus sealer.

PIN: 1008 Steel, zinc plate plus chromate dip.

M10 LOCKWASHERS: Spring steel, black phosphate

M22 LOCKWASHER: Spring steel, zinc alloy plate, bright chromate plus sealer.

DETENT PIN: 304 Stainless Steel natural.

Product Strength Guidelines

(To assist in your product selection; samples are available for your evaluation.)

Maximum static load: 600 N (136 lbs.)

Average ultimate load: 1200 N (272 lbs.)

Average compression force: 300N

(Compression force applied to the frame when the T-handle is turned by hand)

millimeter (inch)
millimeter
(inch)

Dimensions without tolerances are for reference only.