

## Bell-shaped suction cup (round)

SVE 33 PU-55 G3/8-AG

Part no...:10.01.19.00267

<https://www.schmalz.com/10.01.19.00267>

Home > Vacuum Technology for Automation > Vacuum Components > Vacuum Suction Cups > Suction Cups for Packaging > Bin-Picking Suction Cups SVE > SVE 33 PU-55 G3/8-AG

### Suction cup for bin-picking processes with optimum adaptation to a wide range of workpieces



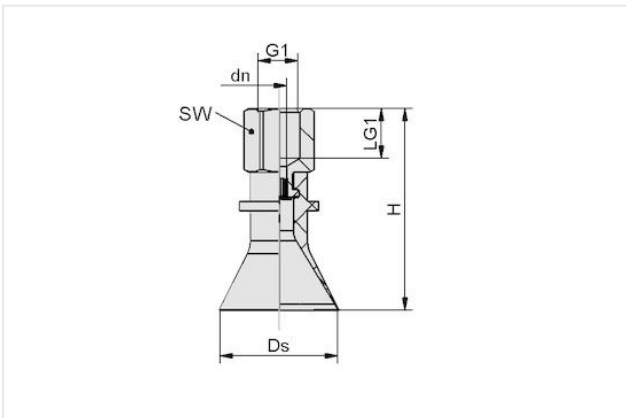
Size: 33

Suction cup material: Polyurethane PU

Material hardness [Shore A]: 55 Shore A

Thread G1: G3/8"-M

### Design Data



Attribute	Value
dn	4.10 mm
Ds	32.10 mm
G1	G3/8"-M
H	48.50 mm
LG1	10 mm
SW1	19 mm

### Technical Data

Attribute	Value
Suction cup material	Polyurethane PU
Material hardness [Shore A]	55 Shore A
Size	33
Product family	SVE

## Bell-shaped suction cup (round)

SVE 33 PU-55 G3/8-AG

Part no...:10.01.19.00267

<https://www.schmalz.com/10.01.19.00267>

### Spare parts



**SVE 33 PU-55 SC040**

Part no...:10.01.19.00266

Size: 33

Suction cup material: Polyurethane PU

Material hardness [Shore A]: 55 Shore A

Nipple family: SC 040