

Bell-shaped suction cup (round)

SVE 33 PU-55 G1/8-IG

Part no...:10.01.19.00281

<https://www.schmalz.com/10.01.19.00281>

Home > Vacuum Technology for Automation > Vacuum Components > Vacuum Suction Cups > Suction Cups for Packaging > Bin-Picking Suction Cups SVE > SVE 33 PU-55 G1/8-IG

Suction cup for bin-picking processes with optimum adaptation to a wide range of workpieces



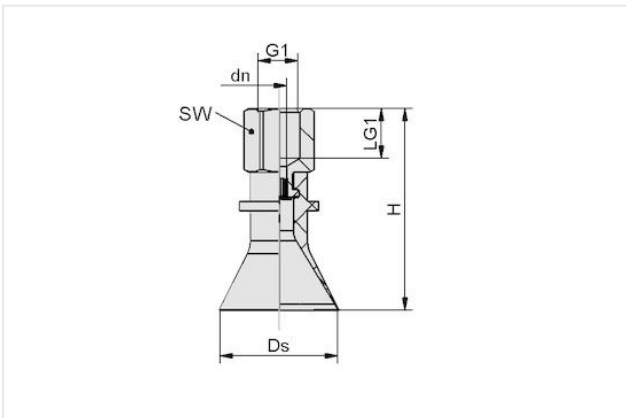
Size: 33

Suction cup material: Polyurethane PU

Material hardness [Shore A]: 55 Shore A

Thread G1: G1/8"-F

Design Data



Attribute	Value
dn	4.10 mm
Ds	32.10 mm
G1	G1/8"-F
H	51.50 mm
LG1	8 mm
SW1	14 mm

Technical Data

Attribute	Value
Suction cup material	Polyurethane PU
Material hardness [Shore A]	55 Shore A
Size	33
Product family	SVE

Bell-shaped suction cup (round)

SVE 33 PU-55 G1/8-IG

Part no...:10.01.19.00281

<https://www.schmalz.com/10.01.19.00281>

Spare parts



SVE 33 PU-55 SC040

Part no...:10.01.19.00266

Size: 33

Suction cup material: Polyurethane PU

Material hardness [Shore A]: 55 Shore A

Nipple family: SC 040