

Bell-shaped suction cup (round)

SVE 53 SI-MD-55 G3/8-AG

Part no...:10.01.19.00258

<https://www.schmalz.com/10.01.19.00258>

Home > Vacuum Technology for Automation > Vacuum Components > Vacuum Suction Cups > Suction Cups for Packaging > Bin-Picking Suction Cups SVE > SVE 53 SI-MD-55 G3/8-AG

Suction cup for bin-picking processes with optimum adaptation to a wide range of workpieces



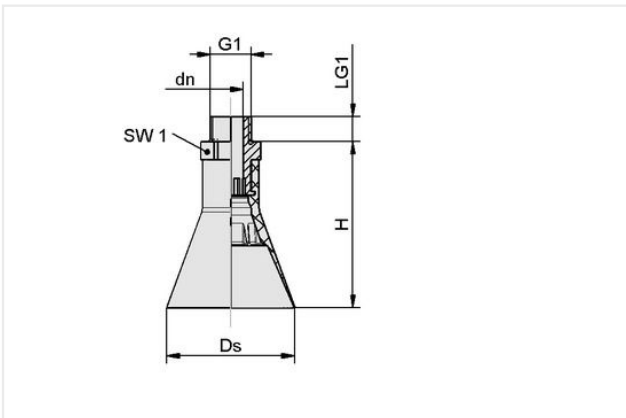
Size: 53

Suction cup material: Silicone SI metal detectable

Material hardness [Shore A]: 55 Shore A

Thread G1: G3/8"-M

Design Data



Attribute	Value
dn	10.30 mm
Ds	52.10 mm
G1	G3/8"-M
H	68 mm
LG1	10 mm
SW1	22 mm

Technical Data

Attribute	Value
Suction cup material	Silicone SI metal detectable
Material hardness [Shore A]	55 Shore A
Size	53
Product family	SVE

Bell-shaped suction cup (round)

SVE 53 SI-MD-55 G3/8-AG

Part no.:10.01.19.00258

<https://www.schmalz.com/10.01.19.00258>

Spare parts



SVE 53 SI-MD-55 SC080

Part no.:10.01.19.00255

Size: 53

Suction cup material: Silicone SI metal detectable

Material hardness [Shore A]: 55 Shore A

Nipple family: SC 080



SC 080 G3/8-AG

Part no.:10.01.06.02593

Connection geometry: 080

Vacuum connection: G3/8"-M

Length L1: 32 mm

Fitting length: 7.5 mm

Nominal diameter dn: 10.3 mm