

Bell-shaped suction cup (round)

SVE 53 PU-55 G3/8-AG

Part no...:10.01.19.00257

<https://www.schmalz.com/10.01.19.00257>

Home > Vacuum Technology for Automation > Vacuum Components > Vacuum Suction Cups > Suction Cups for Packaging > Bin-Picking Suction Cups SVE > SVE 53 PU-55 G3/8-AG

Suction cup for bin-picking processes with optimum adaptation to a wide range of workpieces



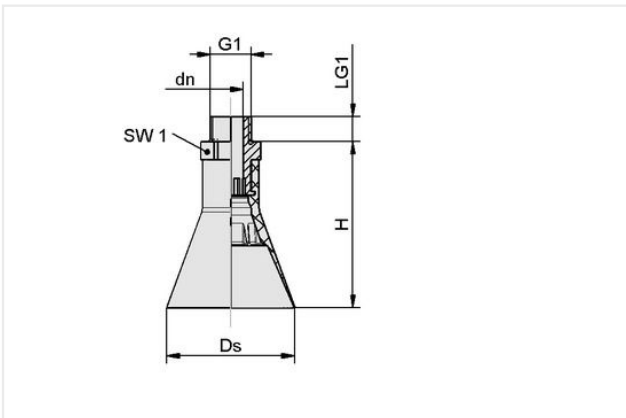
Size: 53

Suction cup material: Polyurethane PU

Material hardness [Shore A]: 55 Shore A

Thread G1: G3/8"-M

Design Data



| Attribute | Value |
|-----------|----------|
| dn | 10.30 mm |
| Ds | 52.10 mm |
| G1 | G3/8"-M |
| H | 68 mm |
| LG1 | 10 mm |
| SW1 | 22 mm |

Technical Data

| Attribute | Value |
|-----------------------------|-----------------|
| Suction cup material | Polyurethane PU |
| Material hardness [Shore A] | 55 Shore A |
| Size | 53 |
| Product family | SVE |

Bell-shaped suction cup (round)

SVE 53 PU-55 G3/8-AG

Part no.:10.01.19.00257

<https://www.schmalz.com/10.01.19.00257>

Spare parts



SVE 53 PU-55 SC080

Part no.:10.01.19.00248

Size: 53

Suction cup material: Polyurethane PU

Material hardness [Shore A]: 55 Shore A

Nipple family: SC 080



SC 080 G3/8-AG

Part no.:10.01.06.02593

Connection geometry: 080

Vacuum connection: G3/8"-M

Length L1: 32 mm

Fitting length: 7.5 mm

Nominal diameter dn: 10.3 mm