

Bellows suction cups (round)

FSDC 40 SI-HD-65 G3/8-AG

Part no...:10.01.06.05238

<https://www.schmalz.com/10.01.06.05238>

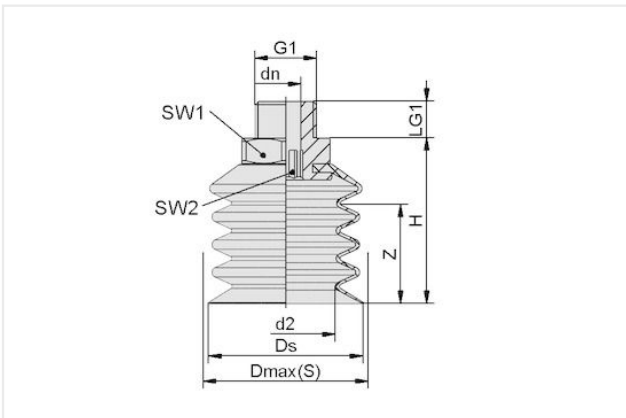
Home > Vacuum Technology for Automation > Vacuum Components > Vacuum Suction Cups > Suction Cups for Packaging > Bellows Suction Cups
FSDC > FSDC 40 SI-HD-65 G3/8-AG

Bellows suction cup (round) for handling bakery products



Size: 40
Suction cup material: Silicone SI-HD
Material hardness [Shore A]: 65 Shore A
Material characteristics: FDA
Nipple material: Aluminum
Connection: G3/8-AG
Number of folds: 4.5

Design Data



Attribute	Value
H	45 mm
d2	26.90 mm
dn	8.20 mm
Dmax(S)	45 mm
Ds	42 mm
G1	G3/8"-M
LG1	10 mm
SW1	24 mm
SW2	8 mm
Z (Stroke)	27 mm

Technical Data

Attribute	Value
Size	40
Number of folds	4.50
Suction cup material	Silicone SI-HD
Product family	FSDC
Material hardness [Shore A]	65 Shore A
Material characteristics	FDA
Nipple material	Aluminum
Connection	G3/8-AG

Contact Schmalz

J. Schmalz GmbH | Johannes-Schmalz-Str.1, D-72293 Glatten | +49 7443 2403-102 | customercenter@schmalz.de

Bellows suction cups (round)

FSDC 40 SI-HD-65 G3/8-AG

Part no...:10.01.06.05238

<https://www.schmalz.com/10.01.06.05238>

Suction force (-600mbar)	35.90 N
Pull-off force	39 N
Volume	30.60 cm ³

Spare parts



FSDC 40 SI-HD-65 N059

Part no...:10.01.06.04598

Size: 40

Suction cup material: Silicone SI-HD

Material hardness [Shore A]: 65 Shore A

Nipple family: N059

Number of folds: 4.5



SA-NIP N059 G3/8-AG

Part no...:10.01.06.05231

Nipple family: N059

Thread G1: G3/8"-M

Length L1: 21.3 mm

Fitting length: 7 mm

Material: Aluminum

Bellows suction cups (round)

FSDC 40 SI-HD-65 G3/8-AG

Part no...:10.01.06.05238

<https://www.schmalz.com/10.01.06.05238>



SA-NIP N059 G1/4-IG

Part no...:10.01.06.04227

Nipple family: N059

Thread G1: G1/4"-F

Length L1: 18.3 mm

Fitting length: 14 mm

Material: Aluminum