

# Flat suction cup (round)

<https://www.schmalz.com/10.01.01.00135>



PFYN 80 FPM-65 G1/4-IG

Part no.: 10.01.01.00135

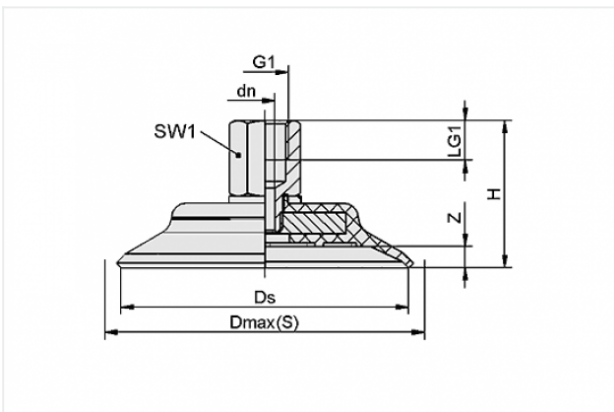
Homepage > Vacuum Technology for Automation > Vacuum Components > Vacuum Suction Cups > Flat Suction Cups (Round) > Flat Suction Cups  
PFYN > PFYN 80 FPM-65 G1/4-IG

## Flat suction cup (round) for smooth or slightly rough surfaces



Size: 80  
Suction cup material:  
Fluorocautchuc FPM  
Material hardness: 65 °Sh  
Vacuum connection: G1/4-F

### Design Data



Attribute	Value
Dmax(S)	86 mm
Ds	80 mm
G1	G1/4"-F

### Technical Data

Attribute	Value
Suction force	260 N
Size	80

### Contact to Schmalz

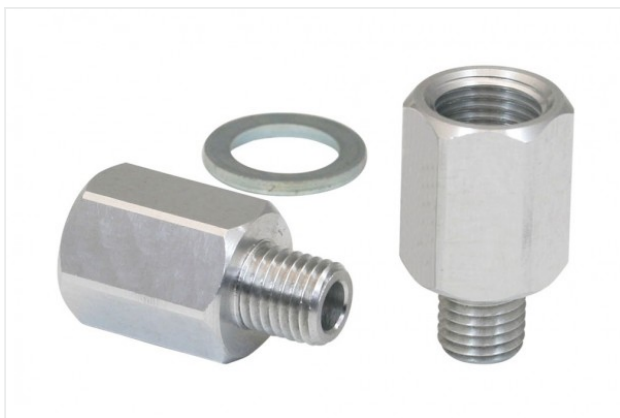
J. Schmalz GmbH | Johannes-Schmalz-Straße, 72293 Glatten, Deutschland | +49 7443 2403-102 |  
customercenter@schmalz.de

Attribute	Value
Number of folds	0
Suction cup material	Fluorocaoutchuc FPM
Material hardness	65 °Sh
Weight	75 g
Product family	PFYN

**Note:**

- Suction force: The specified suction forces are theoretical values at a vacuum of -0.6 bar and with a smooth, dry workpiece surface - they do not include a safety factor
- Hose diameter: The recommended hose diameter refers to a hose length of approx. 2 m

**Spare Parts**



**SA-NIP N009 G1/4-IG**

Part no. 10.01.01.10096

Suction cup connection nipple pre-assembly

Nipple: N 009

Thread G1: G1/4"-F

Length L: 23 mm

for: Flat suction pad PFG



**PFG 80 FPM-65 N009 M10x1.25-IG**

Part no. 10.01.01.00079

Flat suction cup (round) for smooth or slightly rough surfaces

Size: 80

Suction cup material:

Fluorocaoutchuc FPM

Material hardness: 65 °Sh

Connection thread: M10x1.25-F

Material property: imprint-free

## Accessories



### **SU 80**

Part no. 10.01.01.12839

Cover for suction cup

Size: 80

Clamping range: 80.0 ... 100.0 mm

Temperature resistance: 80 °C