

## Bellows suction cup (round)

SAXB 100 ED-85 NPT3/8-IG

Part no.:10.01.42.00048

<https://www.schmalz.com/10.01.42.00048>

Home > Vacuum Technology for Automation > Vacuum Components > Vacuum Suction Cups > Suction Cups for Handling Sheet Metal > Bellows Suction Cups SAXB > SAXB 100 ED-85 NPT3/8-IG

### High-speed bellows suction cup for adaptation to strongly curved and oiled surfaces



Size: 100

Suction cup material: Elastodur

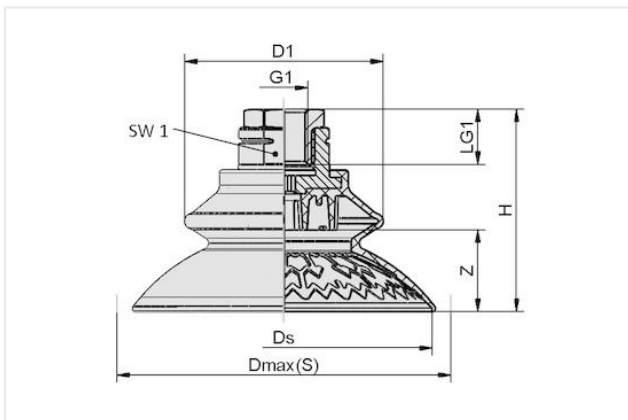
Material hardness [Shore A]: 85 Shore A

Nipple material: Brass

Connection: NPT3/8-IG

Number of folds: 1.5

### Design Data



Attribute	Value
dn	8.10 mm
Dmax(S)	109 mm
Ds	99.60 mm
D1	78.40 mm
G1	NPT3/8-F
H	56.60 mm
LG1	13 mm
SW1	22 mm
Z (Stroke)	25.80 mm

### Technical Data

Attribute	Value
Suction force (-600mbar)	210 N
Lateral force	264 N
Lateral force (oily surface)	243 N
Volume	138.40 cm <sup>3</sup>
Curve radius (min) (convex)	45 mm
Hose diameter (empf.) d	6 mm
Size	100
Connection	NPT3/8-F

### Contact Schmalz

J. Schmalz GmbH | Johannes-Schmalz-Str.1, D-72293 Glatten | +49 7443 2403-102 | [customercenter@schmalz.de](mailto:customercenter@schmalz.de)

## Bellows suction cup (round)

SAXB 100 ED-85 NPT3/8-IG

Part no...:10.01.42.00048

<https://www.schmalz.com/10.01.42.00048>

Number of folds	1.50
Suction cup material	Elastodur
Material hardness [Shore A]	85 Shore A
Weight	115 g
Product family	SAXB

---