

Bellows suction cup (round)

SAXB 50 ED-85 RA

Part no.:10.01.42.00054

<https://www.schmalz.com/10.01.42.00054>

Home > Vacuum Technology for Automation > Vacuum Components > Vacuum Suction Cups > Suction Cups for Handling Sheet Metal > Bellows Suction Cups SAXB > SAXB 50 ED-85 RA

High-speed bellows suction cup for adaptation to strongly curved and oiled surfaces



Size: 50

Suction cup material: Elastodur

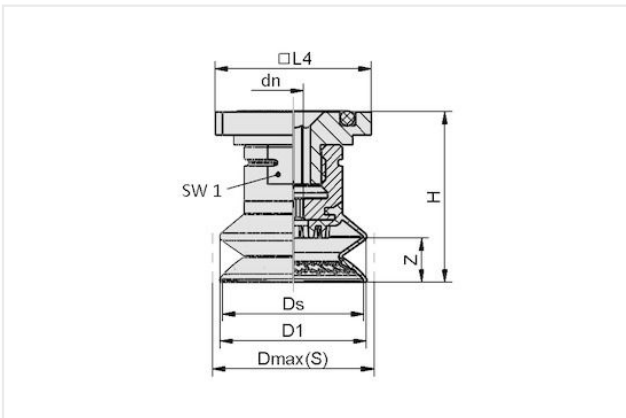
Material hardness [Shore A]: 85 Shore A

Nipple material: Aluminum

Connection: RA

Number of folds: 1.5

Design Data



Attribute	Value
dn	6.10 mm
Dmax(S)	55 mm
Ds	49.60 mm
D1	43.20 mm
H	41.60 mm
L4	31.80 mm
Z (Stroke)	11.60 mm

Technical Data

Attribute	Value
Suction force (-600mbar)	58 N
Lateral force	78 N
Lateral force (oily surface)	67 N
Volume	18.90 cm ³
Curve radius (min) (convex)	22 mm
Hose diameter (empf.) d	6 mm
Size	50
Connection	Rectangular adapter

Contact Schmalz

J. Schmalz GmbH | Johannes-Schmalz-Str.1, D-72293 Glatten | +49 7443 2403-102 | customercenter@schmalz.de



Bellows suction cup (round)

SAXB 50 ED-85 RA

Part no...:10.01.42.00054

<https://www.schmalz.com/10.01.42.00054>

Number of folds	1.50
Suction cup material	Elastodur
Material hardness [Shore A]	85 Shore A
Weight	40.90 g
Product family	SAXB

Contact Schmalz

J. Schmalz GmbH | Johannes-Schmalz-Str.1, D-72293 Glatten | +49 7443 2403-102 |
customercenter@schmalz.de