

## Bellows suction cup (round)

SAXB 50 ED-85 G1/4-IG

Part no.:10.01.42.00051

<https://www.schmalz.com/10.01.42.00051>

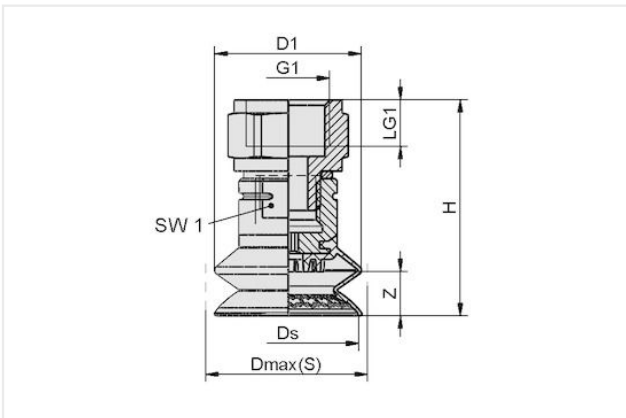
Home > Vacuum Technology for Automation > Vacuum Components > Vacuum Suction Cups > Suction Cups for Handling Sheet Metal > Bellows Suction Cups SAXB > SAXB 50 ED-85 G1/4-IG

### High-speed bellows suction cup for adaptation to strongly curved and oiled surfaces



Size: 50
Suction cup material: Elastodur
Material hardness [Shore A]: 85 Shore A
Nipple material: Brass
Connection: G1/4-IG
Number of folds: 1.5

### Design Data



Attribute	Value
dn	6.10 mm
Dmax(S)	55 mm
Ds	49.60 mm
D1	43.20 mm
G1	G1/4"-F
H	41.90 mm
LG1	15 mm
SW1	22 mm
Z (Stroke)	11.60 mm

### Technical Data

Attribute	Value
Suction force (-600mbar)	58 N
Lateral force	78 N
Lateral force (oily surface)	67 N
Volume	18.90 cm <sup>3</sup>
Curve radius (min) (convex)	22 mm
Hose diameter (empf.) d	6 mm
Size	50
Connection	G1/4"-F

### Contact Schmalz

J. Schmalz GmbH | Johannes-Schmalz-Str.1, D-72293 Glatten | +49 7443 2403-102 | [customercenter@schmalz.de](mailto:customercenter@schmalz.de)

## Bellows suction cup (round)

SAXB 50 ED-85 G1/4-IG

Part no...:10.01.42.00051

<https://www.schmalz.com/10.01.42.00051>

Number of folds	1.50
Suction cup material	Elastodur
Material hardness [Shore A]	85 Shore A
Weight	39.60 g
Product family	SAXB

---