

Bellows suction cup (round)

SAXB 120 ED-85 M16-AG

Part no.:10.01.42.00070

<https://www.schmalz.com/10.01.42.00070>

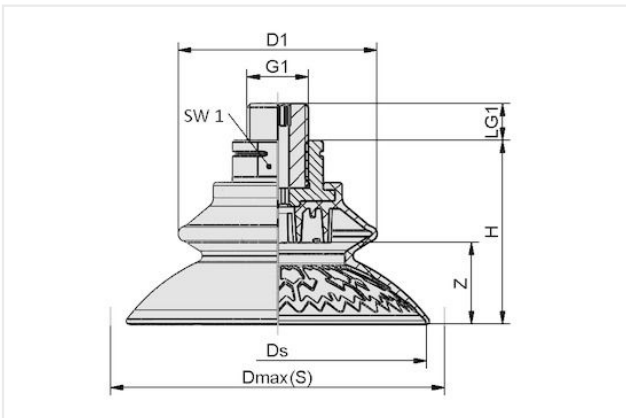
Home > Vacuum Technology for Automation > Vacuum Components > Vacuum Suction Cups > Suction Cups for Handling Sheet Metal > Bellows Suction Cups SAXB > SAXB 120 ED-85 M16-AG

High-speed bellows suction cup for adaptation to strongly curved and oiled surfaces



| |
|---|
| Size: 120 |
| Suction cup material: Elastodur |
| Material hardness [Shore A]: 85 Shore A |
| Nipple material: Aluminum |
| Connection: M16-AG |
| Number of folds: 1.5 |

Datos de diseño



| Atributo | Valor |
|------------|-----------|
| dn | 6.10 mm |
| Dmax(S) | 131 mm |
| Ds | 120.60 mm |
| D1 | 95 mm |
| G1 | M16-M |
| H | 67.80 mm |
| LG1 | 11 mm |
| SW1 | 22 mm |
| Z (Stroke) | 32 mm |

Datos técnicos

| Atributo | Valor |
|------------------------------|------------------------|
| Suction force (-600mbar) | 275 N |
| Lateral force | 479 N |
| Lateral force (oily surface) | 380 N |
| Volume | 251.70 cm ³ |
| Curve radius (min) (convex) | 67.50 mm |
| Hose diameter (empf.) d | 4 mm |
| Size | 120 |
| Connection | M16-M |

Contact Schmalz

J. Schmalz GmbH | Johannes-Schmalz-Str.1, D-72293 Glatten | +49 7443 2403-102 | customercenter@schmalz.de



Bellows suction cup (round)

SAXB 120 ED-85 M16-AG

Part no...:10.01.42.00070

<https://www.schmalz.com/10.01.42.00070>

| | |
|-----------------------------|------------|
| Number of folds | 1.50 |
| Suction cup material | Elastodur |
| Material hardness [Shore A] | 85 Shore A |
| Weight | 126 g |
| Product family | SAXB |

Contact Schmalz

J. Schmalz GmbH | Johannes-Schmalz-Str.1, D-72293 Glatten | +49 7443 2403-102 |
customercenter@schmalz.de