

## Bellows suction cup (round)

SAXB 120 ED-85 RA

Part no.:10.01.42.00063

<https://www.schmalz.com/10.01.42.00063>

Home > Vacuum Technology for Automation > Vacuum Components > Vacuum Suction Cups > Suction Cups for Handling Sheet Metal > Bellows Suction Cups SAXB > SAXB 120 ED-85 RA

### High-speed bellows suction cup for adaptation to strongly curved and oiled surfaces



Size: 120

Suction cup material: Elastodur

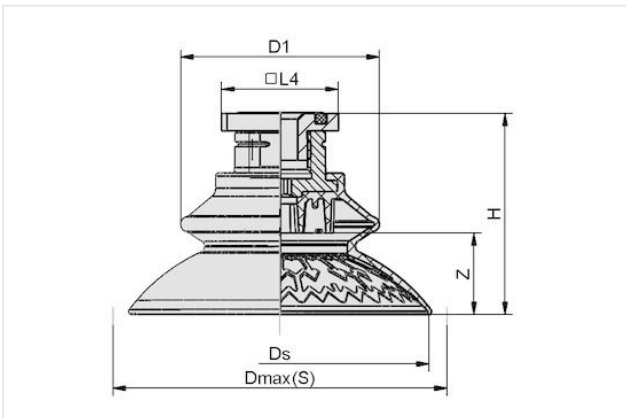
Material hardness [Shore A]: 85 Shore A

Nipple material: Aluminum

Connection: RA

Number of folds: 1.5

### Design Data



Attribute	Value
dn	8.10 mm
Dmax(S)	131 mm
Ds	120.60 mm
D1	95 mm
H	72.50 mm
L4	31.80 mm
Z (Stroke)	32 mm

### Technical Data

Attribute	Value
Suction force (-600mbar)	275 N
Lateral force	479 N
Lateral force (oily surface)	380 N
Volume	251.70 cm <sup>3</sup>
Curve radius (min) (convex)	67.50 mm
Hose diameter (empf.) d	8 mm
Size	120
Connection	Rectangular adapter

### Contact Schmalz

J. Schmalz GmbH | Johannes-Schmalz-Str.1, D-72293 Glatten | +49 7443 2403-102 | [customercenter@schmalz.de](mailto:customercenter@schmalz.de)

## Bellows suction cup (round)

SAXB 120 ED-85 RA

Part no...:10.01.42.00063

<https://www.schmalz.com/10.01.42.00063>

Number of folds	1.50
Suction cup material	Elastodur
Material hardness [Shore A]	85 Shore A
Weight	126 g
Product family	SAXB

---