

Bellows suction cups (round)

SAXB 20 ED-85 M10-AG

Part no.:10.01.42.00032

<https://www.schmalz.com/10.01.42.00032>

Home > Vacuum Technology for Automation > Vacuum Components > Vacuum Suction Cups > Suction Cups for Handling Sheet Metal > Bellows Suction Cups SAXB > SAXB 20 ED-85 M10-AG

High-speed bellows suction cup for adaptation to strongly curved and oiled surfaces



Size: 20

Suction cup material: Elastodur

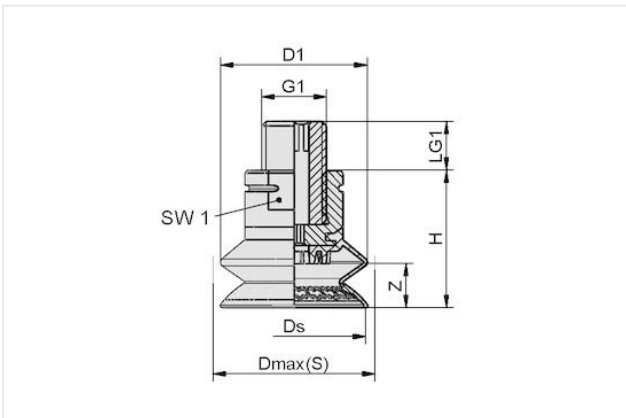
Material hardness [Shore A]: 85 Shore A

Nipple material: Steel

Connection: M10-AG

Number of folds: 1.5

Design Data



| Attribute | Value |
|------------|----------|
| dn | 4.10 mm |
| Dmax(S) | 23.50 mm |
| Ds | 20.40 mm |
| D1 | 20.60 mm |
| G1 | M10-M |
| H | 25 mm |
| LG1 | 12 mm |
| SW1 | 17 mm |
| Z (Stroke) | 5.80 mm |

Technical Data

| Attribute | Value |
|------------------------------|----------------------|
| Suction force (-600mbar) | 18 N |
| Lateral force | 13 N |
| Lateral force (oily surface) | 9.50 N |
| Volume | 1.90 cm ³ |
| Curve radius (min) (convex) | 8 mm |
| Hose diameter (empf.) d | 4 mm |
| Size | 20 |
| Connection | M10-M |

Contact Schmalz

J. Schmalz GmbH | Johannes-Schmalz-Str.1, D-72293 Glatten | +49 7443 2403-102 | customercenter@schmalz.de

Bellows suction cups (round)

SAXB 20 ED-85 M10-AG

Part no...:10.01.42.00032

<https://www.schmalz.com/10.01.42.00032>

| | |
|-----------------------------|------------|
| Number of folds | 1.50 |
| Suction cup material | Elastodur |
| Material hardness [Shore A] | 85 Shore A |
| Weight | 21.70 g |
| Product family | SAXB |
