

Bellows suction cups (round)

SAXB 80 ED-85 G3/8-AG

Part no.:10.01.42.00014

<https://www.schmalz.com/10.01.42.00014>

Home > Vacuum Technology for Automation > Vacuum Components > Vacuum Suction Cups > Suction Cups for Handling Sheet Metal > Bellows Suction Cups SAXB > SAXB 80 ED-85 G3/8-AG

High-speed bellows suction cup for adaptation to strongly curved and oiled surfaces



Size: 80

Suction cup material: Elastodur

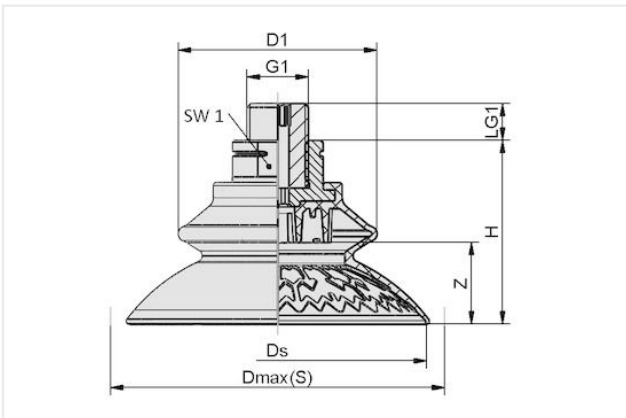
Material hardness [Shore A]: 85 Shore A

Nipple material: Aluminum

Connection: G3/8-AG

Number of folds: 1.5

Design Data



| Attribute | Value |
|------------|----------|
| dn | 6.10 mm |
| Dmax(S) | 91 mm |
| Ds | 81 mm |
| D1 | 54.10 mm |
| G1 | G3/8"-M |
| H | 50 mm |
| LG1 | 10 mm |
| SW1 | 22 mm |
| Z (Stroke) | 22.20 mm |

Technical Data

| Attribute | Value |
|------------------------------|-----------------------|
| Suction force (-600mbar) | 150 N |
| Lateral force | 176 N |
| Lateral force (oily surface) | 155 N |
| Volume | 70.70 cm ³ |
| Curve radius (min) (convex) | 32.50 mm |
| Hose diameter (empf.) d | 6 mm |
| Size | 80 |
| Connection | G3/8"-M |

Contact Schmalz

J. Schmalz GmbH | Johannes-Schmalz-Str.1, D-72293 Glatten | +49 7443 2403-102 | customercenter@schmalz.de

Bellows suction cups (round)

SAXB 80 ED-85 G3/8-AG

Part no...:10.01.42.00014

<https://www.schmalz.com/10.01.42.00014>

| | |
|-----------------------------|------------|
| Number of folds | 1.50 |
| Suction cup material | Elastodur |
| Material hardness [Shore A] | 85 Shore A |
| Weight | 50.10 g |
| Product family | SAXB |
