

Bellows suction cups (round)

SAXB 60 ED-85 G3/8-AG

Part no.:10.01.42.00022

<https://www.schmalz.com/10.01.42.00022>

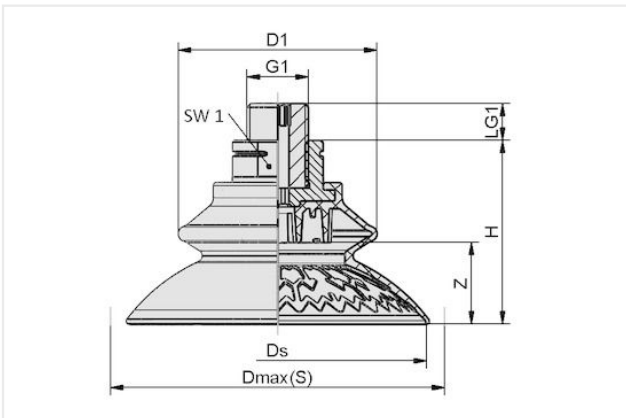
Home > Vacuum Technology for Automation > Vacuum Components > Vacuum Suction Cups > Suction Cups for Handling Sheet Metal > Bellows Suction Cups SAXB > SAXB 60 ED-85 G3/8-AG

High-speed bellows suction cup for adaptation to strongly curved and oiled surfaces



| |
|-----------------------------------------|
| Size: 60 |
| Suction cup material: Elastodur |
| Material hardness [Shore A]: 85 Shore A |
| Nipple material: Aluminum |
| Connection: G3/8-AG |
| Number of folds: 1.5 |

Design Data



| Attribute | Value |
|------------|----------|
| dn | 6.10 mm |
| Dmax(S) | 66 mm |
| Ds | 59.60 mm |
| D1 | 49.40 mm |
| G1 | G3/8"-M |
| H | 41.30 mm |
| LG1 | 10 mm |
| SW1 | 22 mm |
| Z (Stroke) | 14.50 mm |

Technical Data

| Attribute | Value |
|------------------------------|-----------------------|
| Suction force (-600mbar) | 90 N |
| Lateral force | 105 N |
| Lateral force (oily surface) | 81 N |
| Volume | 31.90 cm ³ |
| Curve radius (min) (convex) | 30 mm |
| Hose diameter (empf.) d | 6 mm |
| Size | 60 |
| Connection | G3/8"-M |

Contact Schmalz

J. Schmalz GmbH | Johannes-Schmalz-Str.1, D-72293 Glatten | +49 7443 2403-102 | customercenter@schmalz.de

Bellows suction cups (round)

SAXB 60 ED-85 G3/8-AG

Part no...:10.01.42.00022

<https://www.schmalz.com/10.01.42.00022>

| | |
|-----------------------------|------------|
| Number of folds | 1.50 |
| Suction cup material | Elastodur |
| Material hardness [Shore A] | 85 Shore A |
| Weight | 41 g |
| Product family | SAXB |
