

## Bellows suction cups (round)

SAXB 20 ED-85 G1/4-IG

Part no...:10.01.42.00007

<https://www.schmalz.com/10.01.42.00007>

Home > Vacuum Technology for Automation > Vacuum Components > Vacuum Suction Cups > Suction Cups for Handling Sheet Metal > Bellows Suction Cups SAXB > SAXB 20 ED-85 G1/4-IG

### High-speed bellows suction cup for adaptation to strongly curved and oiled surfaces



Size: 20

Suction cup material: Elastodur

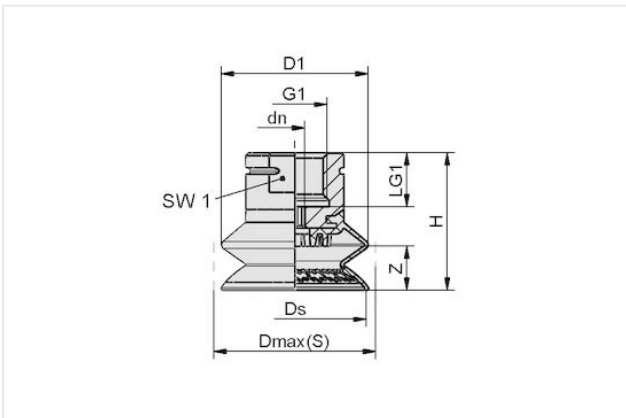
Material hardness [Shore A]: 85 Shore A

Nipple material: Aluminum

Connection: G1/4-IG

Number of folds: 1.5

### Design Data



Attribute	Value
dn	4.10 mm
Dmax(S)	23.50 mm
Ds	20.40 mm
D1	20.60 mm
G1	G1/4"-F
H	25 mm
LG1	11 mm
SW1	17 mm
Z (Stroke)	5.80 mm

### Technical Data

Attribute	Value
Suction force (-600mbar)	18 N
Lateral force	13 N
Lateral force (oily surface)	9.50 N
Volume	1.90 cm <sup>3</sup>
Curve radius (min) (convex)	8 mm
Hose diameter (empf.) d	4 mm
Size	20
Connection	G1/4"-F

### Contact Schmalz

J. Schmalz GmbH | Johannes-Schmalz-Str.1, D-72293 Glatten | +49 7443 2403-102 | [customercenter@schmalz.de](mailto:customercenter@schmalz.de)

## Bellows suction cups (round)

SAXB 20 ED-85 G1/4-IG

Part no...:10.01.42.00007

<https://www.schmalz.com/10.01.42.00007>

Number of folds	1.50
Suction cup material	Elastodur
Material hardness [Shore A]	85 Shore A
Weight	8.90 g
Product family	SAXB

---