

Bellows suction cups (round)

SAXB 60 ED-85 G1/4-IG

Part no.:10.01.42.00011

<https://www.schmalz.com/10.01.42.00011>

Home > Vacuum Technology for Automation > Vacuum Components > Vacuum Suction Cups > Suction Cups for Handling Sheet Metal > Bellows Suction Cups SAXB > SAXB 60 ED-85 G1/4-IG

High-speed bellows suction cup for adaptation to strongly curved and oiled surfaces



Size: 60

Suction cup material: Elastodur

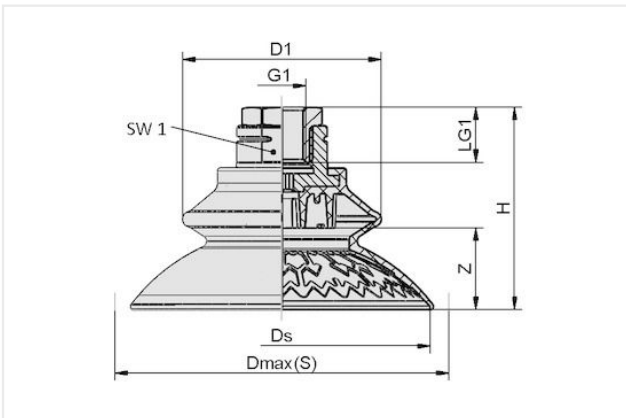
Material hardness [Shore A]: 85 Shore A

Nipple material: Brass

Connection: G1/4-IG

Number of folds: 1.5

Design Data



Attribute	Value
dn	6.10 mm
Dmax(S)	66 mm
Ds	59.60 mm
D1	49.40 mm
G1	G1/4"-F
H	46.30 mm
LG1	15 mm
SW1	22 mm
Z (Stroke)	14.50 mm

Technical Data

Attribute	Value
Suction force (-600mbar)	90 N
Lateral force	105 N
Lateral force (oily surface)	81 N
Volume	31.90 cm ³
Curve radius (min) (convex)	30 mm
Hose diameter (empf.) d	6 mm
Size	60
Connection	G1/4"-F

Contact Schmalz

J. Schmalz GmbH | Johannes-Schmalz-Str.1, D-72293 Glatten | +49 7443 2403-102 | customercenter@schmalz.de



Bellows suction cups (round)

SAXB 60 ED-85 G1/4-IG

Part no...:10.01.42.00011

<https://www.schmalz.com/10.01.42.00011>

Number of folds	1.50
Suction cup material	Elastodur
Material hardness [Shore A]	85 Shore A
Weight	44.10 g
Product family	SAXB

Contact Schmalz

J. Schmalz GmbH | Johannes-Schmalz-Str.1, D-72293 Glatten | +49 7443 2403-102 |
customercenter@schmalz.de