

# Flat suction cup (round)

<https://www.schmalz.com/10.01.01.00040>



PFG 95 SI-55 N009  
M10x1.25-IG

Part no.: 10.01.01.00040

Homepage > Vacuum Technology for Automation > Vacuum Components > Vacuum Suction Cups > Flat Suction Cups (Round) > PFG 95 SI-55

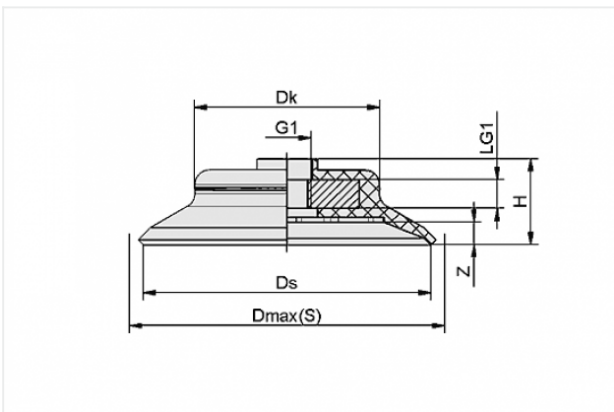
N009 M10x1.25-IG

## Flat suction cup (round) for smooth or slightly rough surfaces



Size: 95  
Suction cup material: Silicone SI  
Material hardness: 55 °Sh  
Material characteristics:  
FDA-compatible  
Connection thread: M10x1.25-F

### Design Data



Attribute	Value
Dk	68.2 mm
Dmax(S)	102 mm
Ds	95 mm
G1	M10x1.25-F
H	19 mm
LG1	6 mm
Z	6 mm

### Technical Data

Attribute	Value
Suction force	350 N

### Contact to Schmalz

J. Schmalz GmbH | Johannes-Schmalz-Straße, 72293 Glatten, Deutschland | +49 7443 2403-102 | [customercenter@schmalz.de](mailto:customercenter@schmalz.de)

Attribute	Value
Volume	37.087 cm <sup>3</sup>
Curve radius (min) (convex)	200 mm
Size	95
Nipple	N 009
Number of folds	0
Suction cup material	Silicone SI
Material hardness	55 °Sh
Weight	87.2 g
Product family	PFG

## Accessories



### SU 100

Part no. 10.01.01.12840

Cover for suction cup

Size: 100

Clamping range: 110.0 ... 115.0 mm

Temperature resistance: 80 °C



**SA-NIP N009 G1/4-AG**

Part no. 10.01.01.10097

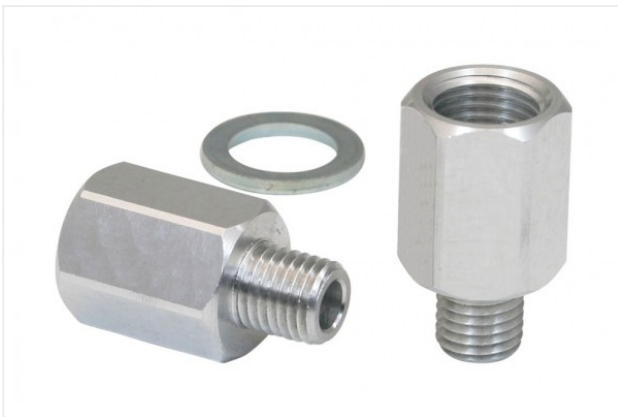
Suction-pad connection nipple pre-assembly

Nipple: N 009

Thread 1: G1/4-M

Length: 5 mm

for: Flat suction pad PFG



**SA-NIP N009 G1/4-IG**

Part no. 10.01.01.10096

Suction cup connection nipple pre-assembly

Nipple: N 009

Thread G1: G1/4"-F

Length L: 23 mm

for: Flat suction pad PFG