

ROTATION BRACKET KA-T100S50-PMT Free Stop

Free Stop



KA-T100S50-PMT-BL



KA-T100S50-PMT-WT

- Allows monitors to rotate and hold in position.
- Replace the original mounting plate with this bracket.

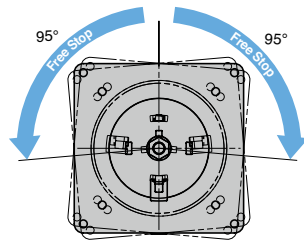
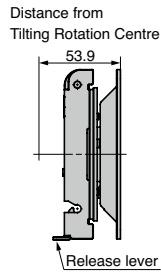
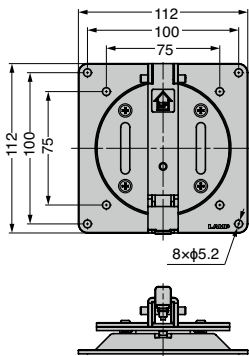
[Specification]

- Compliant with the VESA standard. (Hole interval: 75 x 75 mm / 100 x 100 mm)
- Available monitor size: 12 - 23 inches (Weight: Max. 8 kg)

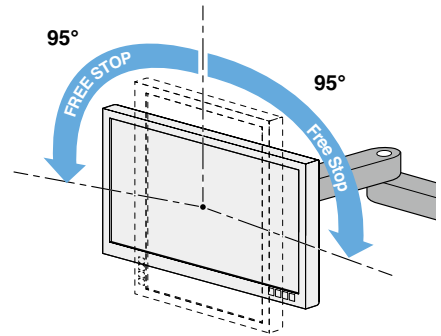
[Compatible Product]

- Monitor Bracket KA-T100S50 **1**
- Monitor Arm KA-T100S50-W/P **2**

Video Link



[Free-stop Rotation]



| RoHS | CAD | Item Code | Item Name | Colour | Torque N·m (Rotate) | Weight (g) |
|------|-----|-------------|-------------------|--------|---------------------|------------|
| ● | ● | 210-048-357 | KA-T100S50-PMT-BL | Black | 4.0 ±20% | 641 |
| ● | ● | 210-048-358 | KA-T100S50-PMT-WT | White | | |

Refer to **1** : No.240A P.155-11 to 155-12 **2** : P.C6 to C7

Series Lineup

Monitor Mount Series KA-T100S50

| | Single Arm 1 | Double Arms 1 | Armless 2 | Option 3 |
|---|--|--|------------------|--|
| <ul style="list-style-type: none"> • Wall Mount • Aluminium Frame Mount | KA-T100S50-W2-BL KA-T100S50-W2-WT | KA-T100S50-W3-BL KA-T100S50-W3-WT | KA-T100S50 | KA-T100S50-PMT-BL KA-T100S50-PMT-WT |
| <ul style="list-style-type: none"> • Pipe Mount | KA-T100S50-P2-BL KA-T100S50-P2-WT | KA-T100S50-P3-BL KA-T100S50-P3-WT | | |

Refer to **1** : P.C6 to C7 **2** : No.240A P.155-11 to 155-12 **3** : P.C8