

FOLDING BRACKET EB-DA Built-in Damper



Soft-close



- Can be folded when not in use, allowing full use of space.
- The built-in damper allows for soft-close motion.
- Automatically locks when flap is in opened position. The lock can be easily released by pushing the lever.
- Keeps in folded position and has click sound when fully closed.
- Can also be used with the EB-303 (without damper type). **1**
- No hinges are needed.

[Application]

• Shelves and tables (garages, recreational vehicles, commercial facilities, factories)

[Parts Included]

• Cross-recessed truss tapping screw ST4.8 x 38, Cross-recessed truss tapping screw ST4.8 x 16 (3 each)

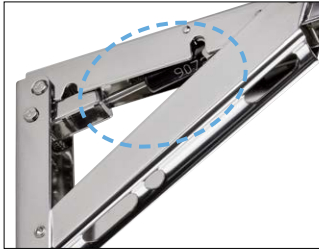
[Optional Parts]

• Folding Bracket EB **1**

[Remarks]

- Used in pairs. (Shelf width: Max. 1300 mm)
- Be careful not to get fingers caught in the bracket.
- Use a long screwdriver for installation.
- Make sure the release lever is attached to bottom of the shelf for correct installation

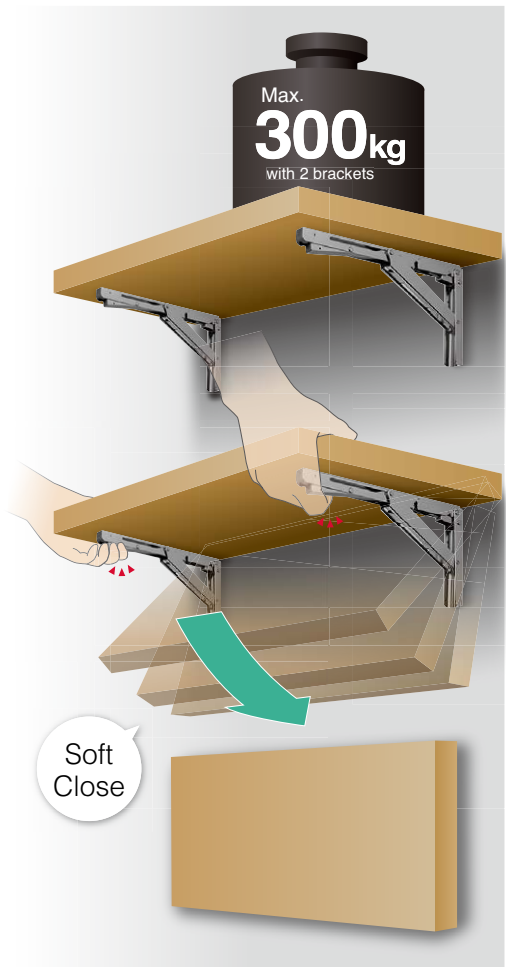
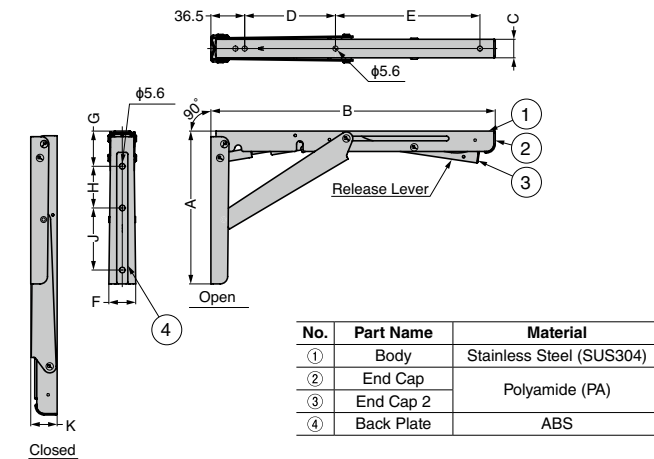
[Built-in Damper]



[End Cap]

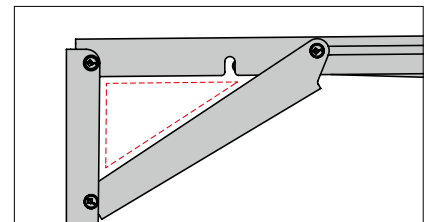
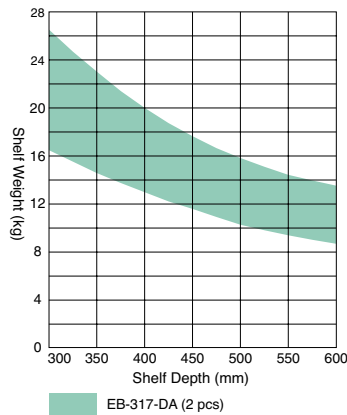
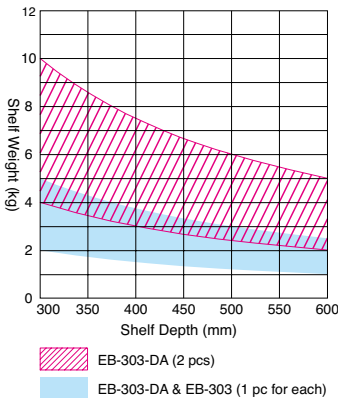


Comes with end caps for safe use.



Soft Close

[Product Selection Graph]



Be careful not to get fingers caught in this space when folding.

RhS	CAD	Item Code	Item Name	Finish/Colour	A	B	C	D	E	F	G	H	J	K	Holes	Load Capacity N /1pc	Load Capacity kgf /1pc	Weight (g)	Box (pcs)
●	●	120-048-775	EB-303-DA	Mirror Polished	165	307	20	98	156	29	38	45	67	28.5	6	1471	150	525	20
●	●	120-049-237	EB-303-DA-BL	Black						20									20
●	●	120-049-238	EB-317-DA	Mirror Polished	171	318.5	24			36				30		1961	200	775	20
●	●	120-049-239	EB-317-DA-BL	Black						20									20

Refer to **1** : No240A P.155-1