

Flat suction cup (round)

<https://www.schmalz.com/10.01.01.00080>



PFG 95 FPM-65 N009
M10x1.25-IG

Part no.: 10.01.01.00080

Homepage > Vacuum Technology for Automation > Vacuum Components > Vacuum Suction Cups > Flat Suction Cups (Round) > PFG 95 FPM-65

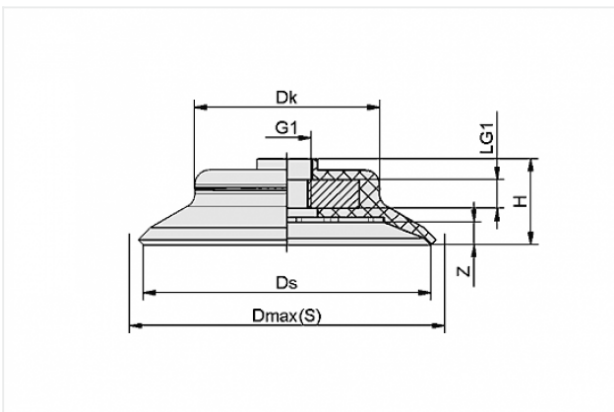
N009 M10x1.25-IG

Flat suction cup (round) for smooth or slightly rough surfaces



Size: 95
Suction cup material:
Fluorocautchuc FPM
Material hardness: 65 °Sh
Connection thread: M10x1.25-F
Material property: imprint-free

Design Data



Attribute	Value
-----------	-------

Dk	68.2 mm
----	---------

Dmax(S)	102 mm
---------	--------

Ds	95 mm
----	-------

G1	M10x1.25-F
----	------------

H	19 mm
---	-------

LG1	6 mm
-----	------

Z	6 mm
---	------

Technical Data

Attribute	Value
-----------	-------

Suction force	350 N
---------------	-------

Contact to Schmalz

J. Schmalz GmbH | Johannes-Schmalz-Straße, 72293 Glatten, Deutschland | +49 7443 2403-102 |
customercenter@schmalz.de

Attribute	Value
Volume	37.087 cm ³
Curve radius (min) (convex)	200 mm
Size	95
Nipple	N 009
Number of folds	0
Suction cup material	Fluorocautchuc FPM
Material hardness	65 °Sh
Weight	118.3 g
Product family	PFG

Accessories



SU 100

Part no. 10.01.01.12840

Cover for suction cup

Size: 100

Clamping range: 110.0 ... 115.0 mm

Temperature resistance: 80 °C



SA-NIP N009 G1/4-AG

Part no. 10.01.01.10097

Suction-pad connection nipple pre-assembly

Nipple: N 009

Thread 1: G1/4-M

Length: 5 mm

for: Flat suction pad PFG



SA-NIP N009 G1/4-IG

Part no. 10.01.01.10096

Suction cup connection nipple pre-assembly

Nipple: N 009

Thread G1: G1/4"-F

Length L: 23 mm

for: Flat suction pad PFG