

Vacuum block

VCBL-S6-CUP 120x50x25 TV

Part no...:10.01.12.04639

<https://www.schmalz.com/10.01.12.04639>

Home > Vacuum Clamping Technology > Clamping Equipment for Woodworking > Clamping Equipment for Systems from SCM / Morbidelli > Vacuum Blocks VCBL-S6 > VCBL-S6-CUP 120x50x25 TV

Vacuum block for SCM/Morbidelli console - Type 6

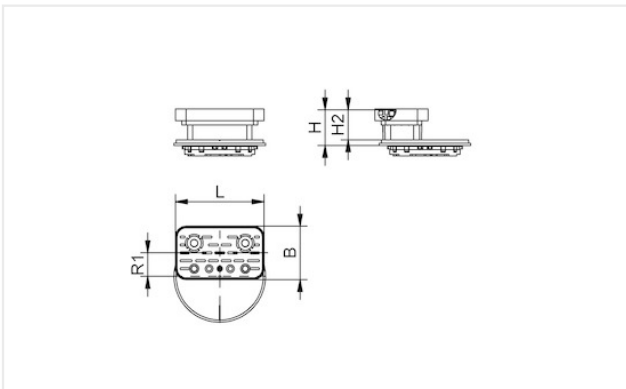


Dimensions (LxB): 120x50

Height H: 25 mm

Add. function: Sensing valve

Design Data



| Attribute | Value |
|-----------|----------|
| B | 50 mm |
| B1 | 129 mm |
| H | 25 mm |
| H1 | 39.50 mm |
| H2 | 17 mm |
| L | 120 mm |
| L1 | 137 mm |
| R1 | 480 mm |

Spare parts

Contact Schmalz

J. Schmalz GmbH | Johannes-Schmalz-Str.1, D-72293 Glatten | +49 7443 2403-102 | customercenter@schmalz.de

Vacuum block

VCBL-S6-CUP 120x50x25 TV

Part no...:10.01.12.04639

<https://www.schmalz.com/10.01.12.04639>



VCSP-O 120x50x15.5

Part no...:10.01.12.00012

Dimensions (LxB): mm

Length L: 120 mm

Width B: 50 mm

Height H: 15.5 mm



TV D9 4.3

Part no...:10.01.12.02514

External diameter D: 9 mm

Spring stroke Z: 4.3 mm

Length L: 23.8 mm