

## Vacuum block

VCBL-S6 120x50x110 S-360-15 TV

Part no...:10.01.12.04454

<https://www.schmalz.com/10.01.12.04454>

Home > Vacuum Clamping Technology > Clamping Equipment for Woodworking > Clamping Equipment for Systems from SCM / Morbidelli > Vacuum Blocks VCBL-S6 > VCBL-S6 120x50x110 S-360-15 TV

### Vacuum block for SCM/Morbidelli console - Type 6



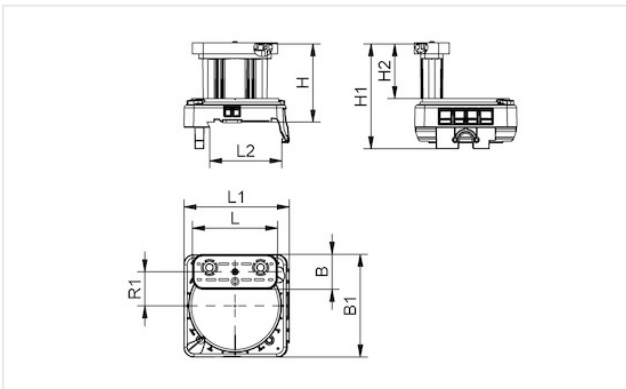
Dimensions (LxB): 120x50

Height H: 110 mm

Arrangement: insertable 360°/15°

Add. function: Sensing valve

### Design Data



Attribute	Value
B	50 mm
B1	144 mm
H	110 mm
H1	147.50 mm
H2	77 mm
L	120 mm
L1	148.50 mm
L2	104 mm
R1	480 mm

### Accessories

#### Contact Schmalz

J. Schmalz GmbH | Johannes-Schmalz-Str.1, D-72293 Glatten | +49 7443 2403-102 | [customercenter@schmalz.de](mailto:customercenter@schmalz.de)

## Vacuum block

VCBL-S6 120x50x110 S-360-15 TV

Part no...:10.01.12.04454

<https://www.schmalz.com/10.01.12.04454>



### SCHA-NOCK 12x8x21.8 VCBL-S6

Part no...:10.01.12.04741

Length L: 12 mm

Width B: 8 mm

Height H: 21.8 mm

Construction use: VCBL-S6

## Spare parts



### VCSP-O 120x50x15.5

Part no...:10.01.12.00012

Dimensions (LxB): mm

Length L: 120 mm

Width B: 50 mm

Height H: 15.5 mm



### VCDR 135x25.5x6 VCBL

Part no...:10.01.12.04560

Length L: 135 mm

Width B: 25.5 mm

Height H: 6 mm

Construction use: Vacuum block

## Vacuum block

VCBL-S6 120x50x110 S-360-15 TV

Part no...:10.01.12.04454

<https://www.schmalz.com/10.01.12.04454>



### TV D9 4.3

Part no...:10.01.12.02514

External diameter D: 9 mm

Spring stroke Z: 4.3 mm

Length L: 23.8 mm



### ZUB VCBL-S6

Part no...:10.01.12.04814

Construction use: VCBL-S6