

## Adapter plate

AP-S6-145x145x25

Part no...:10.01.12.04440

<https://www.schmalz.com/10.01.12.04440>

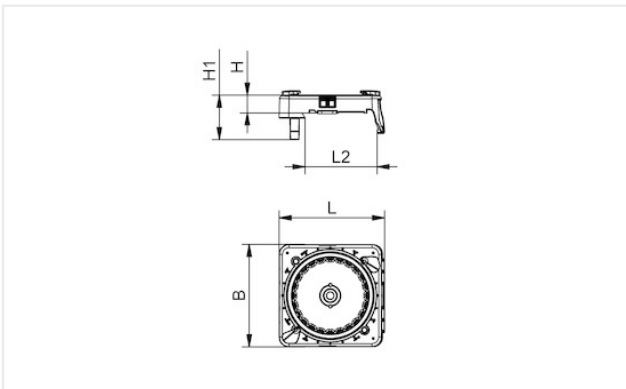
Home > Vacuum Clamping Technology > Clamping Equipment for Woodworking > Clamping Equipment for Systems from SCM / Morbidelli > Vacuum Blocks VCBL-S6 > AP-S6-145x145x25

### Adapter-Plate AP for usage of Vacuum Blocks VCBL-B



Height H: 25 mm

### Design Data



Attribute	Value
B	145 mm
H	25 mm
L	145 mm

### Contact Schmalz

J. Schmalz GmbH | Johannes-Schmalz-Str.1, D-72293 Glatten | +49 7443 2403-102 | [customercenter@schmalz.de](mailto:customercenter@schmalz.de)