

Vacuum block

VCBL-S6 145x145x50 TV+ME

Part no.:10.01.12.04460

<https://www.schmalz.com/10.01.12.04460>

Home > Vacuum Clamping Technology > Clamping Equipment for Woodworking > Clamping Equipment for Systems from SCM / Morbidelli > Vacuum Blocks VCBL-S6 > VCBL-S6 145x145x50 TV+ME

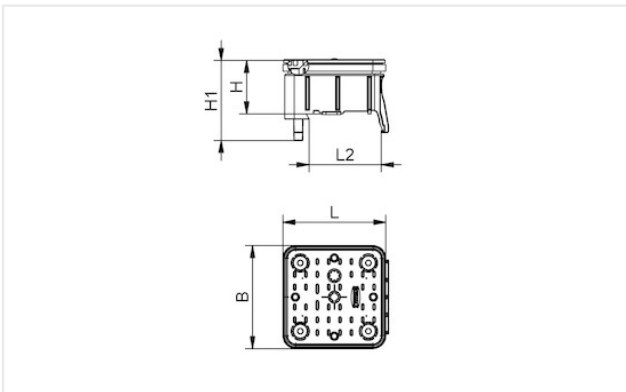
Vacuum block for SCM/Morbidelli console - Type 6



Dimensions (LxB): 145x145

Height H: 50 mm

Design Data



Attribute	Value
B	145 mm
H	50 mm
H1	87.50 mm
L	145 mm
L2	104 mm

Accessories

Contact Schmalz

J. Schmalz GmbH | Johannes-Schmalz-Str.1, D-72293 Glatten | +49 7443 2403-102 | customercenter@schmalz.de

Vacuum block

VCBL-S6 145x145x50 TV+ME

Part no...:10.01.12.04460

<https://www.schmalz.com/10.01.12.04460>



VCSP-O 145x145x17.9 ME-MOS

Part no...:10.01.12.04818

Construction use: VCBL-S6

Dimensions (LxB): mm

Length L: 145 mm

Width B: 145 mm

Height H: 17.9 mm



SCHA-NOCK 12x8x21.8 VCBL-S6

Part no...:10.01.12.04741

Length L: 12 mm

Width B: 8 mm

Height H: 21.8 mm

Construction use: VCBL-S6

Spare parts



VCSP-O 145x145x16.5 ME

Part no...:10.01.12.04445

Construction use: Vacuum block

Dimensions (LxB): mm

Length L: 145 mm

Width B: 145 mm

Height H: 16.5 mm

Add. function: Membrane

Contact Schmalz

J. Schmalz GmbH | Johannes-Schmalz-Str.1, D-72293 Glatten | +49 7443 2403-102 | customercenter@schmalz.de

Vacuum block

VCBL-S6 145x145x50 TV+ME

Part no...:10.01.12.04460

<https://www.schmalz.com/10.01.12.04460>



VCDR 135x25.5x6 VCBL

Part no...:10.01.12.04560

Length L: 135 mm

Width B: 25.5 mm

Height H: 6 mm

Construction use: Vacuum block



TV D9 4.3

Part no...:10.01.12.02514

External diameter D: 9 mm

Spring stroke Z: 4.3 mm

Length L: 23.8 mm