

## Vacuum block

VCBL-S6-CUP 130x30x85 TV

Part no...:10.01.12.04627

<https://www.schmalz.com/10.01.12.04627>

Home > Vacuum Clamping Technology > Clamping Equipment for Woodworking > Clamping Equipment for Systems from SCM / Morbidelli > Vacuum Blocks VCBL-S6 > VCBL-S6-CUP 130x30x85 TV

### Vacuum block for SCM/Morbidelli console - Type 6

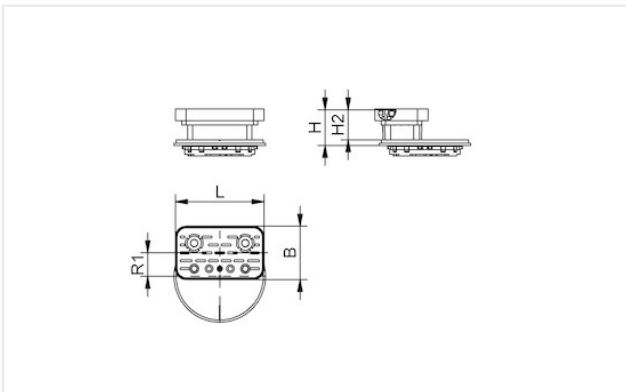


Dimensions (LxB): 130x30

Height H: 85 mm

Add. function: Sensing valve

### Design Data



Attribute	Value
B	30 mm
B1	130 mm
H	85 mm
H1	99.50 mm
H2	77 mm
L	130 mm
L1	136.50 mm
R1	550 mm

### Spare parts

#### Contact Schmalz

J. Schmalz GmbH | Johannes-Schmalz-Str.1, D-72293 Glatten | +49 7443 2403-102 | [customercenter@schmalz.de](mailto:customercenter@schmalz.de)

## Vacuum block

VCBL-S6-CUP 130x30x85 TV

Part no...:10.01.12.04627

<https://www.schmalz.com/10.01.12.04627>



### VST VCSP

Part no...:10.01.12.01543

Construction use: Vacuum block suction plate

Dimensions (LxB): mm



### TV D9 4.3

Part no...:10.01.12.02514

External diameter D: 9 mm

Spring stroke Z: 4.3 mm

Length L: 23.8 mm