

Vacuum block

VCBL-S6-CUP 130x30x25 TV

Part no...:10.01.12.04654

<https://www.schmalz.com/10.01.12.04654>

Home > Vacuum Clamping Technology > Clamping Equipment for Woodworking > Clamping Equipment for Systems from SCM / Morbidelli > Vacuum Blocks VCBL-S6 > VCBL-S6-CUP 130x30x25 TV

Vacuum block for SCM/Morbidelli console - Type 6

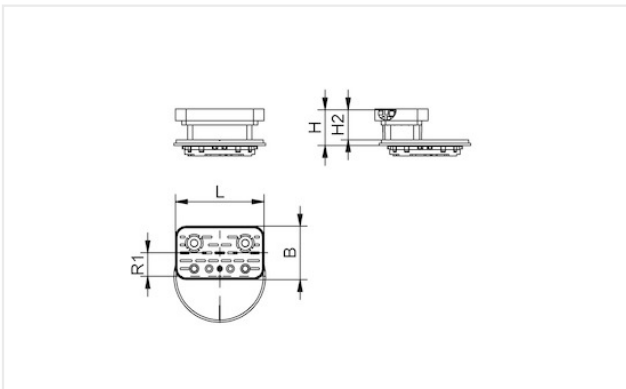


Dimensions (LxB): 130x30

Height H: 25 mm

Add. function: Sensing valve

Design Data



Attribute	Value
B	30 mm
B1	130 mm
H	25 mm
H1	39.50 mm
H2	17 mm
L	130 mm
L1	136.50 mm
R1	550 mm

Spare parts

Contact Schmalz

J. Schmalz GmbH | Johannes-Schmalz-Str.1, D-72293 Glatten | +49 7443 2403-102 | customercenter@schmalz.de

Vacuum block

VCBL-S6-CUP 130x30x25 TV

Part no.:10.01.12.04654

<https://www.schmalz.com/10.01.12.04654>



VST VCSP

Part no.:10.01.12.01543

Construction use: Vacuum block suction plate

Dimensions (LxB): mm



TV D9 4.3

Part no.:10.01.12.02514

External diameter D: 9 mm

Spring stroke Z: 4.3 mm

Length L: 23.8 mm