

# Flat suction cup (round)

<https://www.schmalz.com/10.01.01.00019>



PFG 80 NBR-55 N009  
M10x1.25-IG

Part no.: 10.01.01.00019

Homepage > Vacuum Technology for Automation > Vacuum Components > Vacuum Suction Cups > Flat Suction Cups (Round) > PFG 80 NBR-55

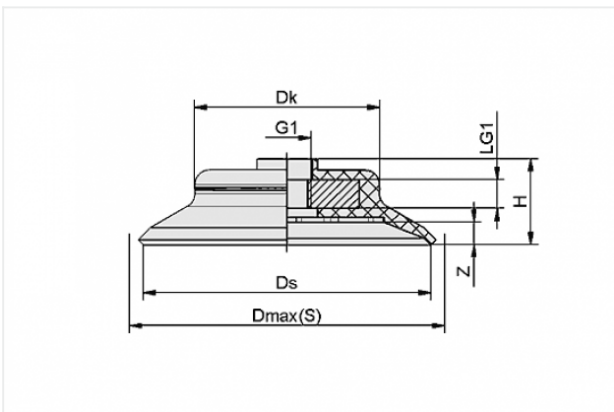
N009 M10x1.25-IG

## Flat suction cup (round) for smooth or slightly rough surfaces



Size: 80  
Suction cup material:  
Nitrile rubber NBR  
Material hardness: 55 °Sh  
Connection thread: M10x1.25-F

### Design Data



Attribute	Value
Dk	52.3 mm
Dmax(S)	86 mm
Ds	80 mm
G1	M10x1.25-F
H	20.5 mm
LG1	6 mm
Z	6 mm

### Technical Data

Attribute	Value
Suction force	260 N

### Contact to Schmalz

J. Schmalz GmbH | Johannes-Schmalz-Straße, 72293 Glatten, Deutschland | +49 7443 2403-102 | [customercenter@schmalz.de](mailto:customercenter@schmalz.de)

Attribute	Value
Volume	26.756 cm <sup>3</sup>
Curve radius (min) (convex)	100 mm
Size	80
Nipple	N 009
Number of folds	0
Suction cup material	Nitrile rubber NBR
Material hardness	55 °Sh
Weight	52.4 g
Product family	PFG

## Accessories



### SU 80

Part no. 10.01.01.12839

Cover for suction cup

Size: 80

Clamping range: 80.0 ... 100.0 mm

Temperature resistance: 80 °C



**SA-NIP N009 G1/4-AG**

Part no. 10.01.01.10097

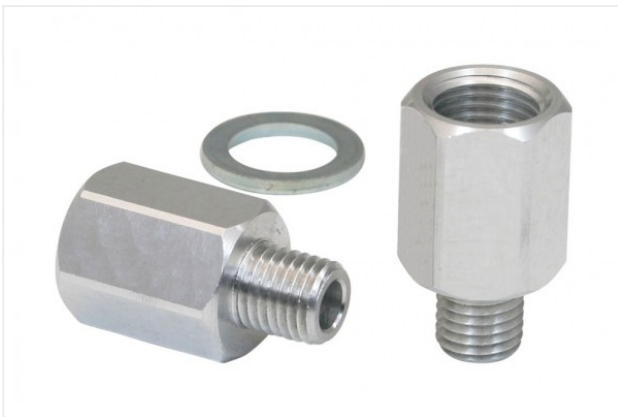
Suction-pad connection nipple pre-assembly

Nipple: N 009

Thread 1: G1/4-M

Length: 5 mm

for: Flat suction pad PFG



**SA-NIP N009 G1/4-IG**

Part no. 10.01.01.10096

Suction cup connection nipple pre-assembly

Nipple: N 009

Thread G1: G1/4"-F

Length L: 23 mm

for: Flat suction pad PFG