

BELT PARTITION SERIES

- Suitable for simple partitions at the station's platforms and factories.
- Long type with belt length 7m and stacking type available.

[Wall Mount Type] P.902-903



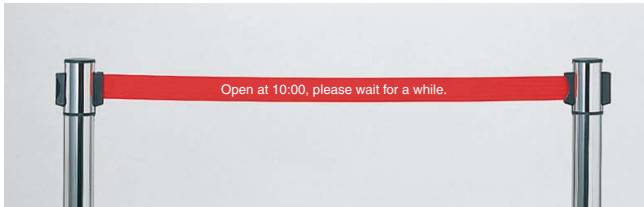
[Self-standing Type]



RD (red)	BU (blue)	YE (yellow)
GN (green)	BR (brown)	GR (grey)
BL (black)		



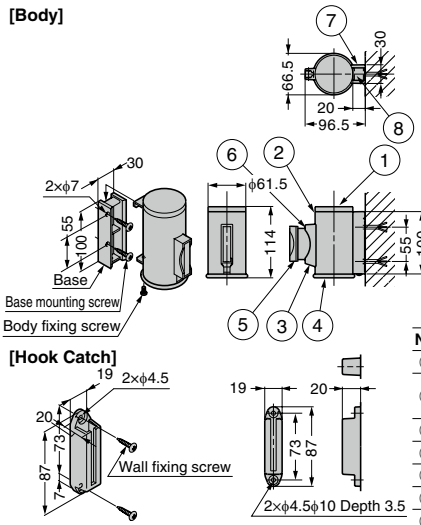
■ Letters and symbols can be optionally printed on the belt.



WALL MOUNT BELT PARTITION AP-BR351



[Body]



[Hook Catch]

- Use hook catch (included) to fix the pulled out belt.

[Remarks]

- Hook catch is supplied with the body. Please order separately if additional hook catches are required.
- Please install the body and hook catch as shown in the application example. If the belt is twisted with respect to the body and hook catch, the twisted part may rub and cause fraying or wearing out.

[Parts Included]

- Hook catch

No.	Part Name	Material	Finish / Colour
①	Head	ABS	Dark Grey
②	Slit Pipe (MR)	Stainless Steel	Polished
	Slit Pipe (SL)	Steel	Powder Coating/Silver
③	Hook Catch A		
④	Wall Mount Type Resin Sleeve	ABS	Dark Grey
⑤	Hook		
⑥	Belt	Polyester	-
⑦	Base	ABS	Dark Grey
⑧	Hook Bracket	Stainless Steel (SUS304)	Powder Coating/Dark Grey

[Body]

Rol#S	CAD	Item Code	Item Name	Belt Colour	Belt Length m	Weight (kg)	Box (pcs)	Carton (pcs)
-	-	290-893-247	AP-BR351 (MR)RD	Red	2	0.5	1	40
-	-	290-893-306	AP-BR351 (MR)BU	Blue			1	40
-	-	290-893-246	AP-BR351 (SL)RD	Red			1	40
-	-	290-893-301	AP-BR351 (SL)BU	Blue			1	40

[Hook Catch] Sold Separately

Rol#S	CAD	Item Code	Item Name	Material	Colour	Size	Weight (g)	Box (pcs)	Carton (pcs)
-	-	290-885-590	AP-BR349M (GR)	ABS	Dark Grey	W19 x D20 x H87	19	200	-

