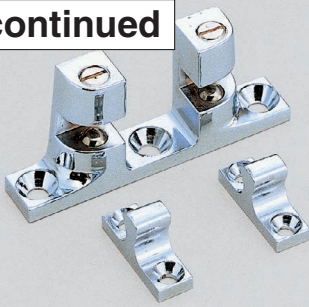


# TENSION CATCH BCT-60W

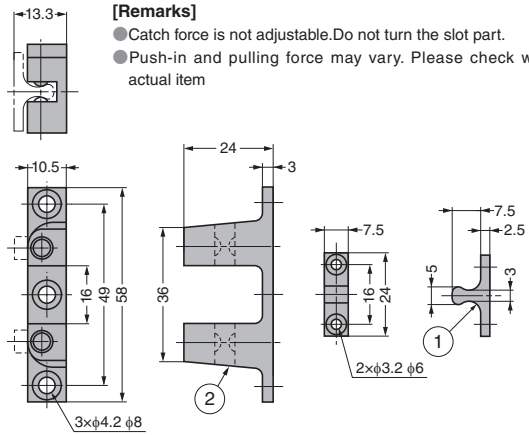
TEST METHOD 10

**Discontinued**



**[Remarks]**

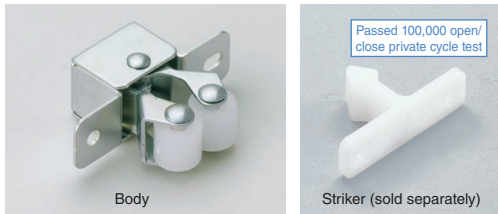
- Catch force is not adjustable. Do not turn the slot part.
- Push-in and pulling force may vary. Please check with actual item



No.	Part Name	Material	Finish
①	Counter Plate	Zinc Alloy (ZDC)	Chrome
②	Body		

RoHS	CAD	Item Code	Item Name	Push-in Force N	Push-in Force kgf	Pulling Force N	Pulling Force kgf	Weight (g)	Box (pcs)	Carton (pcs)
RoHS	SD	140-059-035	BCT-60W	31.4	3.2	26.5	2.7	39.5	80	320

# ROLLER CATCH (Mortise Type) R500R

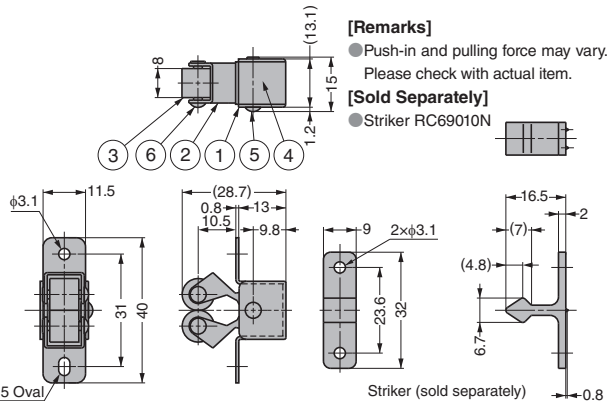


**[Remarks]**

- Push-in and pulling force may vary. Please check with actual item.

**[Sold Separately]**

- Striker RC69010N



No.	Part Name	Material	Finish / Colour
①	Body	Steel (SPCC)	Coloured Zinc Chromate (Trivalent)
②	Arm		Chromate (Trivalent)
③	Roller	PP	Natural
④	Spring	Steel (SWP)	Coloured Zinc Chromate (Trivalent)
⑤	Rivet A	Steel (SWCH)	
⑥	Rivet B		

[Body] Push-in and pulling force are for using striker RC69010N.

RoHS	CAD	Item Code	Item Name	Push-in Force N	Push-in Force kgf	Pulling Force N	Pulling Force kgf	Weight (g)	Box (pcs)	Carton (pcs)
RoHS	SD	140-051-039	R500R	25	2.6	64	6.5	14	100	1000

[Striker] Sold Separately

RoHS	CAD	Item Code	Item Name	Material	Colour	Weight (g)	Box (pcs)	Carton (pcs)
RoHS	SD	140-916-813	RC69010N	POM	White	1	500	5000

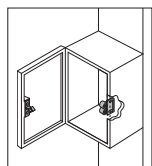
# ROLLER CATCH R265, R325 Oval Hole

TEST METHOD 3 SUS



**[Application Example]**

- Polyethylene roller is easy to insert and remove.



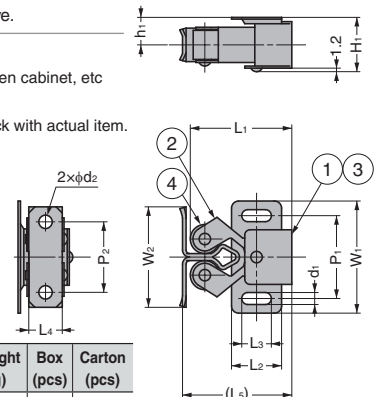
**[Applications]**

- Small switchboard, measuring equipment, kitchen cabinet, etc

**[Remarks]**

- Push-in and pulling force may vary. Please check with actual item.

No.	Part Name	Material	Finish/Colour
①	Body	Stainless Steel (SUS430)	Plain
②	Arm		
③	Spring	Stainless Steel (SUS304)	Natural
④	Roller	PE	



**[Parts Included]**

- Counter plate

Item Name	L1	L2	L3	L4	L5	W1	W2	H1	h1	P1	P2	d1	d2
R265-SUS	23	12	8	7.2	24	26.9	24.5	13.5	7	19.7	18	3	2.8
R325-SUS	29	14	8.5	9.5	31	31.8	28.5	15.5	7.8	23.5	20	3.5	3.8

RoHS	CAD	Item Code	Item Name	Push-in Force N	Push-in Force kgf	Pulling Force N	Pulling Force kgf	Weight (g)	Box (pcs)	Carton (pcs)
RoHS	SD	140-057-003	R265-SUS	12.7	1.3	23.5	2.4	8	120	1200
RoHS	SD	140-057-005	R325-SUS	9.8	1	30.4	3.1	15	60	1200