

### 3/4 EXTENSION SLIDE ESR2 Under-mount Type

**LOAD CAPACITY** 49-78 N/pc **L=R** **FRICTION** **DETACH** **SUS**

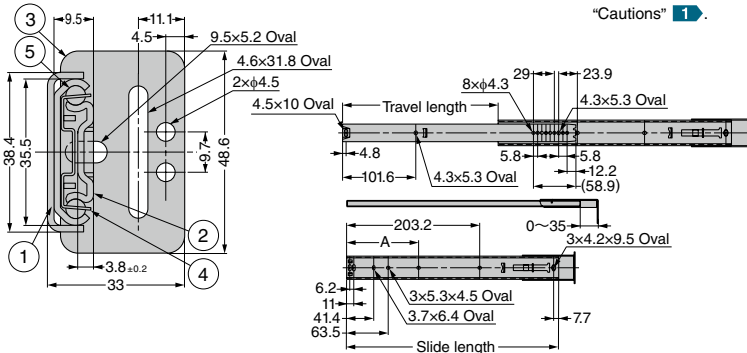
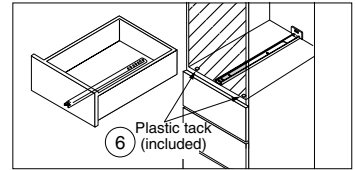


- 3/4 extension (2 members).
- Installed to the bottom of the drawer.
- The drawer can be stopped at any position by the resistance of the ball retainer. The drawer can be detached by pulling outward.

**[Remarks]**

- Be sure to read the "Cautions" 1.

**[Application Example]**



No.	Part Name	Material	Finish
①	Outer Member	Stainless Steel (SUS304)	Plain
②	Inner Member		
③	Bracket		
④	Retainer		
⑤	Balls		-
⑥	Plastic Tack	Plastic	

Sold by piece.

RoHS	CAD	Item Code	Item Name	Slide length	Travel length	A	Load Capacity N/pc	Load Capacity kgf/pc	Weight (kg/pc)	Box (pcs)	Carton (pcs)
-	SD	190-111-310	ESR2-12	323.8	215.9	109.9	78	8	0.4	20	-
-	SD	190-111-311	ESR2-14	374.6	266.7	160.7	74	7.5	0.43	20	-
-	SD	190-111-312	ESR2-16	425.4	304.8	-	69	7	0.48	20	-
-	SD	190-111-313	ESR2-18	476.2	317.5	262.3			0.53	20	-
-	SD	190-111-314	ESR2-20	527	368.3	313.1	64	6.5	0.57	20	-
-	SD	190-111-315	ESR2-22	577.8	419.1	363.9	59	6	0.62	20	-
-	SD	190-111-316	ESR2-24	628.6	444.5	414.7	54	5.5	0.66	20	-
-	SD	190-111-317	ESR2-26	679.4	495.3	465.5	49	5	0.71	20	-

Refer to 1 : P.399

### DRAWER DAMPER GDSR144-R



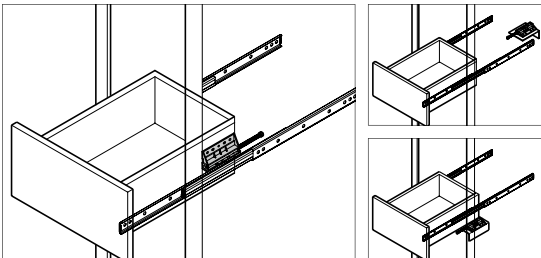
Passed 25,000 open/close private cycle test

- Used with the slide to reduce the shock when closing the drawer.

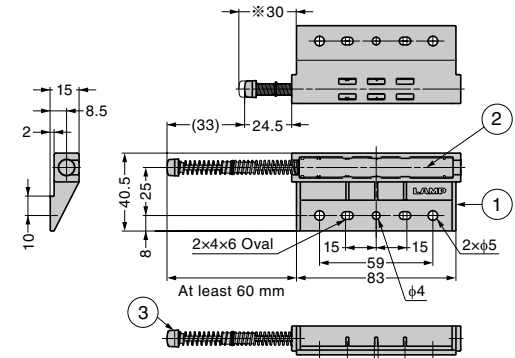
**[Remarks]**

- Latch is required to hold the drawer in closed position.
- It is an oil damper. Noted that oil leak may occur due to failure.
- Conduct verification before use.
- Noted that the dimension marked with ※ below shall be 30mm or more.
- This product is right type. For left type, please contact local representatives.
- Use with the slide to ensure straight contact with the damper.

**[Installation]**



With a damper, drawers in the kitchen and office can be soft-closed.



No.	Part Name	Material	Colour
①	Bracket	ABS	Light Grey
②	Body	POM	Grey
③	Bumper	PUR	Red

RoHS	CAD	Item Code	Item Name	Reaction Force N	Reaction Force kgf	Weight (g)	Box (pcs)	Carton (pcs)
SD	SD	190-118-835	GDSR144-R	20	2	24	240	-