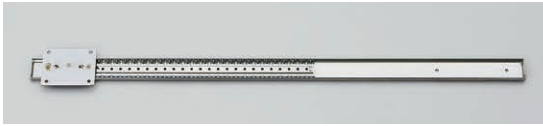


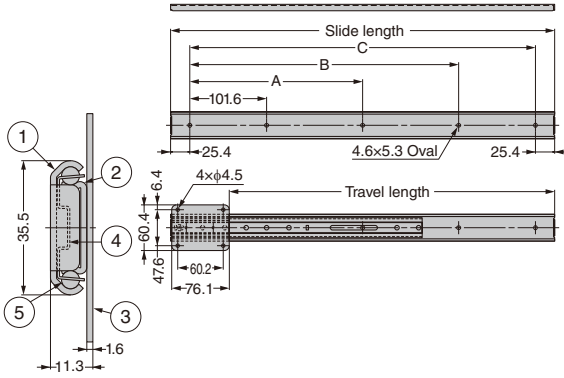
# LINEAR BALL BEARING GUIDE ESR9 For Light Weight



- Inner member is located inside the retainer for precise movement.
- Ideal for doors of small cabinets. 2 slides can support up to 5 kg.

**[Remarks]**

- Outer member cannot be used in full stroke since the erected parts at its both ends are low in strength against strong shock and continuous movement. Install a stopper with a space from the erected part.
- Ball retainer may shift depending on inner member movement frequency and other conditions. In this case, correct by moving the inner member left or right to the end.
- Retainer may shift downwards in case of moving in the vertical direction.



No.	Part Name	Material	Finish
①	Outer Member	Stainless Steel (SUS304)	Plain
②	Inner Member		
③	Mounting Plate		
④	Retainer		
⑤	Balls		-

Sold by piece.

RHS	CAD	Item Code	Item Name	Slide Length	Travel Length	A	B	C	Weight (kg/pc)	Box (pcs)	Carton (pcs)
G	3D	190-111-336	ESR9-12	304.8	225	-	152.4	254	0.14	24	-
G	3D	190-111-337	ESR9-14	355.6	276		203.2	304.8	0.16	24	-
G	3D	190-111-338	ESR9-16	406.4	327		254	355.6	0.17	24	-
G	3D	190-111-339	ESR9-18	457.2	378	203.2	304.8	406.4	0.19	24	-
G	3D	190-111-340	ESR9-20	508	428	228.6	355.6	457.2	0.20	24	-
G	3D	190-111-341	ESR9-22	558.8	479	254	406.4	508	0.22	24	-
G	3D	190-111-342	ESR9-24	609.6	530	279.4	457.2	558.8	0.24	24	-
-	3D	190-111-343	ESR9-26	660.4	581	304.8	508	609.6	0.25	22	-
G	3D	190-111-344	ESR9-28	711.2	632	330.2	558.8	660.4	0.27	24	-

STAINLESS STEEL

# LINEAR BALL BEARING GUIDE TSSL



ALUMINIUM

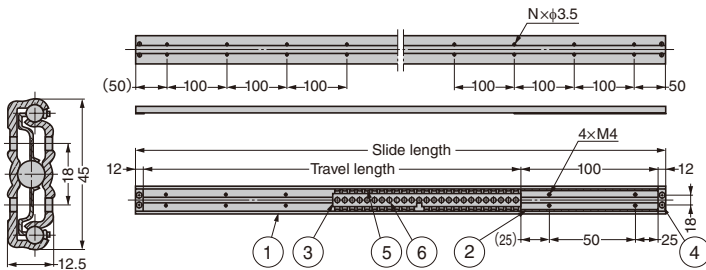
STEEL



- Inner and outer members are supported with 3 steel balls for smooth movement.
- Inner member is located inside the retainer for precise movement.

**[Remarks]**

- Movement is affected by the use environment. Please check with actual item.
- Do not use for vertical movement.



No.	Part Name	Material	Finish/Colour
①	Outer Member	Stainless Steel (SUS304)	Plain
②	Inner Member		
③	Retainer		
④	End Stopper	PA	Black
⑤	Balls	Carbon Steel	-
⑥			

Sold by piece.

RHS	CAD	Item Code	Item Name	Slide Length	Travel Length	Holes N	Weight (kg/pc)	Box (pcs)	Carton (pcs)
G	3D	190-110-600	TSSL-300-100	300	176	6	0.44	12	-
G	3D	190-110-601	TSSL-400-100	400	276	8	0.57	12	-
G	3D	190-110-602	TSSL-500-100	500	376	10	0.68	12	-
G	3D	190-110-603	TSSL-600-100	600	476	12	0.82	12	-
G	3D	190-110-604	TSSL-800-100	800	676	16	1.04	12	-
G	3D	190-110-605	TSSL-1000-100	1000	876	20	1.33	12	-