

# Flat suction cup (round)

<https://www.schmalz.com/10.01.01.00058>



PFG 60 PU-55 N009  
M10x1.25-IG

Part no.: 10.01.01.00058

Homepage > Vacuum Technology for Automation > Vacuum Components > Vacuum Suction Cups > Flat Suction Cups (Round) > PFG 60 PU-55

N009 M10x1.25-IG

## Flat suction cup (round) for smooth or slightly rough surfaces



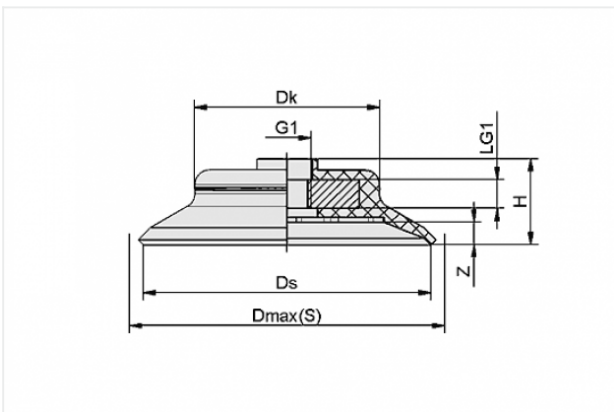
Size: 60

Suction cup material: Polyurethane PU

Material hardness: 55 °Sh

Connection thread: M10x1.25-F

### Design Data



Attribute	Value
-----------	-------

Dk	38.7 mm
----	---------

Dmax(S)	64 mm
---------	-------

Ds	60 mm
----	-------

G1	M10x1.25-F
----	------------

H	18 mm
---	-------

LG1	6 mm
-----	------

Z	4.7 mm
---	--------

### Technical Data

Attribute	Value
-----------	-------

Suction force	125 N
---------------	-------

### Contact to Schmalz

J. Schmalz GmbH | Johannes-Schmalz-Straße, 72293 Glatten, Deutschland | +49 7443 2403-102 | [customercenter@schmalz.de](mailto:customercenter@schmalz.de)

Attribute	Value
Volume	11.846 cm <sup>3</sup>
Curve radius (min) (convex)	100 mm
Size	60
Nipple	N 009
Number of folds	0
Suction cup material	Polyurethane PU
Material hardness	55 °Sh
Weight	24.1 g
Product family	PFG

## Accessories



### SU 60

Part no. 10.01.01.13585

Cover for suction cup

Size: 60

Temperature resistance: 80 °C



**SA-NIP N009 G1/4-AG**

Part no. 10.01.01.10097

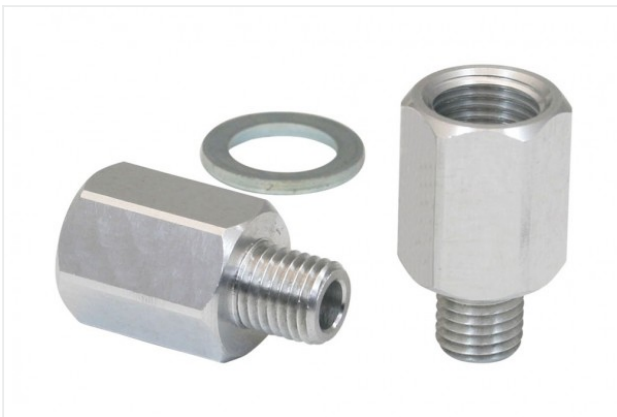
Suction-pad connection nipple pre-assembly

Nipple: N 009

Thread 1: G1/4-M

Length: 5 mm

for: Flat suction pad PFG



**SA-NIP N009 G1/4-IG**

Part no. 10.01.01.10096

Suction cup connection nipple pre-assembly

Nipple: N 009

Thread G1: G1/4"-F

Length L: 23 mm

for: Flat suction pad PFG