

FULL EXTENSION SOFT-CLOSE SLIDE



4670



Features

- Self and soft closing slide.
- Full extension (3 members).
- With a bumper to avoid metal-to-metal noise at the end of the course.
- The drawer is detachable by lifting the lever.
- Self-closes at 20 mm distance from closed position (250-350 mm slide) and at 36 mm distance from closed position (400-600 mm slide).

Parts Included

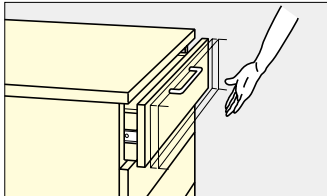
Truss head tapping screw 4x12

DRAWER SLIDES

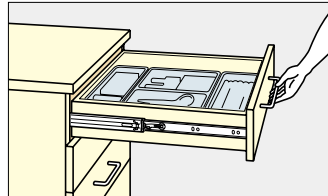
FULL EXTENSION SOFT-CLOSE SLIDE



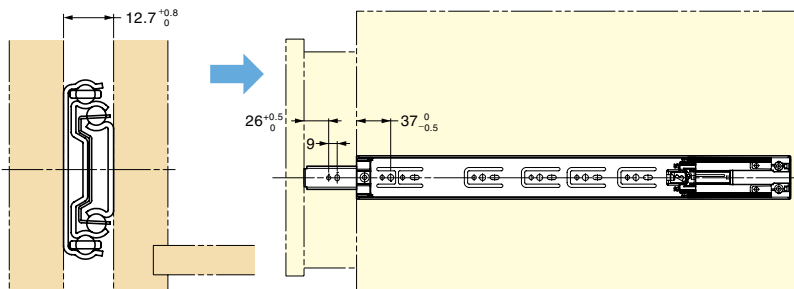
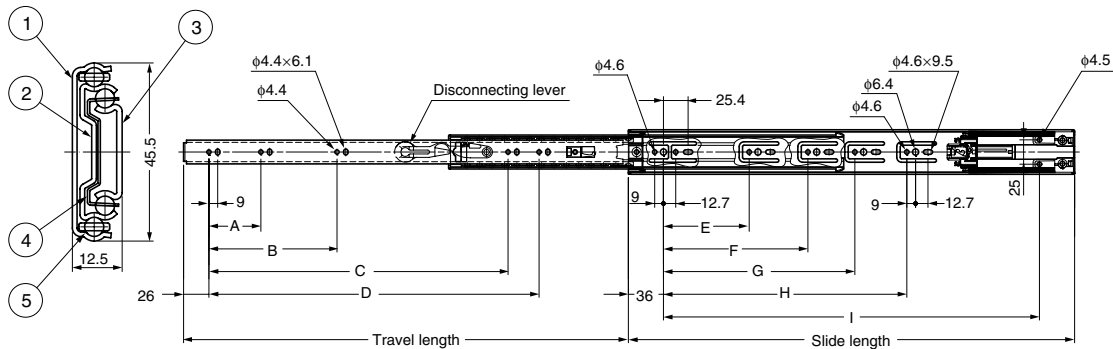
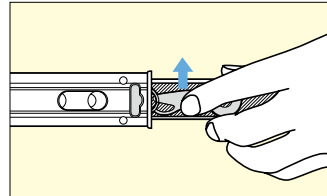
Self and Soft Closing



Full Extension (3 Members)



Easy to Detach



No.	Part Name	Material	Finish/Colour
①	Outer Rail	Steel	Clear Zinc Chromate
②	Intermediate Member	Steel	Clear Zinc Chromate
③	Inner Rail	Steel	Clear Zinc Chromate
④	Retainer	Steel	(Zinc Chromate Steel)
⑤	Balls	Steel	-

Sold in pairs (2 pcs).

Item Code	Item Name	Slide Length	Travel Length	A	B	C	D	E	F	G	H	I	Load Capacity N	Load Capacity kgf	Weight	Box
190-021-265	4670-250	250	175	-	-	124	-	87	-	-	-	179	147 N/pair	15 kgf/pair	0.72 kg/pair	10 pairs
190-021-266	4670-300	300	275	-	-	174	-	119	-	-	-	229	196 N/pair	20 kgf/pair	0.88 kg/pair	10 pairs
190-021-267	4670-350	350	353	96	-	224	-	119	183	-	-	279	245 N/pair	25 kgf/pair	1.02 kg/pair	10 pairs
190-021-268	4670-400	400	404	96	-	254	-	119	199	-	-	329	245 N/pair	25 kgf/pair	1.17 kg/pair	10 pairs
190-021-269	4670-450	450	455	128	-	294	-	119	247	-	-	379	294 N/pair	30 kgf/pair	1.31 kg/pair	10 pairs
190-021-270	4670-500	500	505	96	160	344	-	119	295	-	-	429	343 N/pair	35 kgf/pair	1.48 kg/pair	10 pairs
190-021-271	4670-550	550	556	96	160	394	-	119	215	343	-	479	392 N/pair	40 kgf/pair	1.62 kg/pair	6 pairs
190-021-272	4670-600	600	606	128	192	444	-	119	215	343	-	529	294 N/pair	30 kgf/pair	1.77 kg/pair	6 pairs
190-021-273	4670-650	650	653	128	224	416	494	119	215	343	439	579	294 N/pair	30 kgf/pair	1.94 kg/pair	6 pairs
190-021-274	4670-700	700	704	128	224	480	544	119	215	343	487	629	294 N/pair	30 kgf/pair	2.10 kg/pair	6 pairs