

**FULL EXTENSION SOFT-CLOSE SLIDE Black**



**4670BL**



**Features**

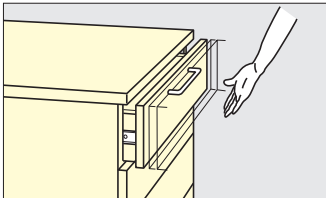
- Self and soft closing slide.
- Full extension (3 members).
- With a bumper to avoid metal-to-metal noise at the end of the course.
- The drawer is detachable by lifting the lever.
- Self-closes at 20 mm distance from closed position (250-350 mm slide) and at 36 mm distance from closed position (400-600 mm slide).

**Parts Included**

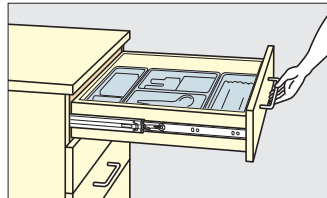
Truss head tapping screw 4x12 (black finish)



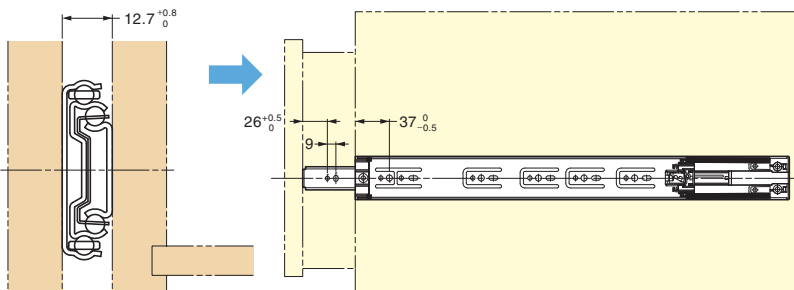
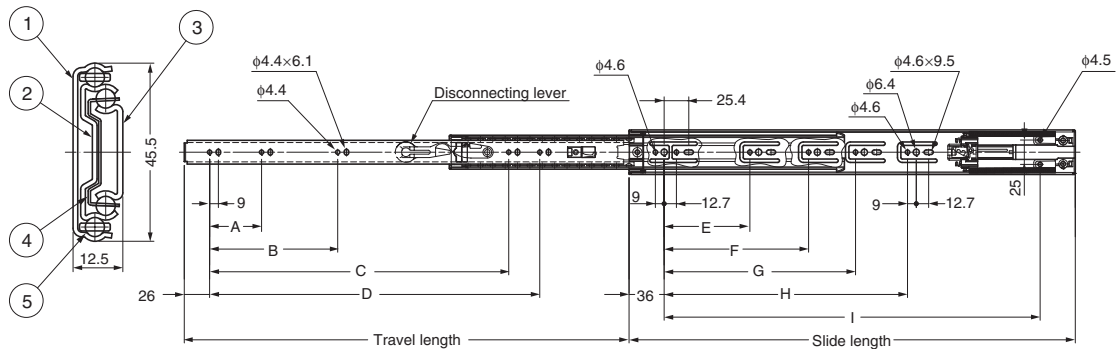
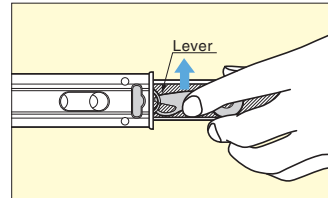
**Self and Soft Closing**



**Full Extension (3 Members)**



**Easy to Detach**



No.	Part Name	Material	Finish/Colour
①	Outer Rail	Steel	Black
②	Intermediate Member	Steel	Electrodeposition
③	Inner Rail	Steel	
④	Retainer	Steel	(Zinc Chromate Steel)
⑤	Balls	Steel	-

Sold in pairs (2 pcs).

Item Code	Item Name	Slide Length	Travel Length	A	B	C	D	E	F	G	H	I	Load Capacity N	Load Capacity kgf	Weight	Box
190-028-947	4670-250BL	250	175	-	-	124	-	87	-	-	-	179	147 N/pair	15 kgf/pair	0.72 kg/pair	10 pairs
190-028-948	4670-300BL	300	275	-	-	174	-	119	-	-	-	229	196 N/pair	20 kgf/pair	0.88 kg/pair	10 pairs
190-028-949	4670-350BL	350	353	96	-	224	-	119	183	-	-	279	245 N/pair	25 kgf/pair	1.02 kg/pair	10 pairs
190-028-950	4670-400BL	400	404	96	-	254	-	119	199	-	-	329	245 N/pair	25 kgf/pair	1.17 kg/pair	10 pairs
190-028-951	4670-450BL	450	455	128	-	294	-	119	247	-	-	379	294 N/pair	30 kgf/pair	1.31 kg/pair	10 pairs
190-028-952	4670-500BL	500	505	96	160	344	-	119	295	-	-	429	343 N/pair	35 kgf/pair	1.48 kg/pair	10 pairs
190-028-953	4670-550BL	550	556	96	160	394	-	119	215	343	-	479	392 N/pair	40 kgf/pair	1.62 kg/pair	6 pairs
190-028-954	4670-600BL	600	606	128	192	444	-	119	215	343	-	529	294 N/pair	30 kgf/pair	1.77 kg/pair	6 pairs



DRAWER SLIDES

FULL EXTENSION SOFT-CLOSE SLIDE